

## Dual Monitor Mount with Built-in 2-port USB Pass-Through | Silver



*Actual product may vary from photos*

### User Manual

SKU#: ARMSLIMDUOS

For the latest information and specifications visit  
[www.startech.com/ARMSLIMDUOS](http://www.startech.com/ARMSLIMDUOS)

---

## **Use of Trademarks, Registered Trademarks, and other Protected Names and Symbols**

This manual may make reference to trademarks, registered trademarks, and other protected names and/or symbols of third-party companies not related in any way to StarTech.com. Where they occur these references are for illustrative purposes only and do not represent an endorsement of a product or service by StarTech.com, or an endorsement of the product(s) to which this manual applies by the third-party company in question. Regardless of any direct acknowledgement elsewhere in the body of this document, StarTech.com hereby acknowledges that all trademarks, registered trademarks, service marks, and other protected names and/or symbols contained in this manual and related documents are the property of their respective holders.

## Warning Statements

- Make sure that you assemble this product according to the instructions.
- Do not exceed the weight capacity of this product. Overloading this product might result in injury or property damage. This product can support the following weight: 17.6 lb. (2 x 8 kg).
- This product is intended for indoor use only and should not be used outdoors.

## Varningsmeddelanden

- Se till att du monterar produkten i enlighet med instruktionerna.
- Överskrid inte produktens viktkapacitet. Överbelastning av produkten kan orsaka skada på person eller egendom. Denna produkt har stöd för följande vikter: (2 x 8 kg).
- Produkten är endast avsedd för användning inomhus och ska inte användas utomhus.

## Avertissements

- Assemblez ce produit conformément aux instructions.
- Ne dépassez pas la capacité pondérale du produit. Une surcharge du produit peut entraîner des blessures ou des dommages matériels. Ce produit peut supporter (2 x 8 kg).
- Ce produit est uniquement destiné à une utilisation en intérieur et ne doit pas être utilisé à l'extérieur.

## Warnhinweise

- Beachten Sie bei der Montage dieses Produkts die Montageanweisungen.
- Überschreiten Sie nicht die Tragkraft dieses Produkts. Ein Überladen dieses Produkts kann zu Verletzungen oder zur Beschädigung des Produkts führen. Dieses Produkt ist für folgendes Gewicht geeignet: (2 x 8 kg).
- Dieses Produkt ist nur zum Gebrauch in Innenräumen vorgesehen und sollte nicht im Freien verwendet werden.

## Dichiarazioni di avvertenza

- Assicurarasi di Assemblare il prodotto secondo le istruzioni.
- Non superare la capacità di carico del prodotto. Il sovraccarico del prodotto potrebbe causare danni o lesioni. Il prodotto è in grado di supportare i seguenti pesi: (2 x 8 kg).

- Il prodotto è destinato all'uso in ambienti interni. Se ne sconsiglia l'impiego in ambienti esterni.

## Mensagens de aviso

- Certifique-se de que monta este produto de acordo com as instruções.
- Não exceda a capacidade de peso deste produto. Sobrecarregar este produto pode resultar em ferimentos ou danos de propriedade. Este produto pode suportar o seguinte peso: (2 x 8 kg).
- Este produto destina-se apenas a uma utilização no interior e não deve ser utilizado no exterior.

## Advertencias de uso

- Asegúrese de ensamblar este producto según las instrucciones.
- Asegúrese de no exceder la capacidad de peso de este producto. La sobrecarga de este producto puede causar lesiones personales o daños en la propiedad. Este producto tiene capacidad para el siguiente peso: (2 x 8 kg).
- El uso de este producto es solo para interiores y no debe utilizarse en exteriores.

## Waarschuwingen

- Zorg dat u dit product volgens de instructies in elkaar zet.
- Overschrijd de maximale capaciteit van dit product niet. Overbelasting van dit product kan letsel of materiële schade veroorzaken. Dit product ondersteunt het volgende gewicht: (2 x 8 kg).
- Dit product is alleen bedoeld voor binnengebruik en mag niet buiten worden gebruikt.

## 注意

- 必ず取扱説明書に従って本製品の組み立てを行って下さい。
- 本製品で定められた最大積載重量を超えないようにして下さい。最大積載重量をオーバーした場合、怪我をする恐れや器物破損の恐れがあります。本製品は、モニター1台あたり(2 x 8kg)まで支持できます。
- 本製品は、室内での使用を想定しています。戸外では使用しないで下さい。

## Safety Statements

### Safety Measures

- Cables (including power and charging cables) should be placed and routed to avoid creating electric, tripping or safety hazards.

### Mesures de sécurité

- Les câbles (y compris les câbles d'alimentation et de chargement) doivent être placés et acheminés de façon à éviter tout risque électrique, de chute ou de sécurité

### 安全対策

- ケーブル(電源ケーブルと充電ケーブルを含む)は、適切な配置と引き回しを行い、電気障害やつまづきの危険性など、安全上のリスクを回避するようにしてください。

### Misure di sicurezza

- I cavi (inclusi i cavi di alimentazione e di ricarica) devono essere posizionati e stesi in modo da evitare pericoli di inciampo, rischi di scosse elettriche o pericoli per la sicurezza.

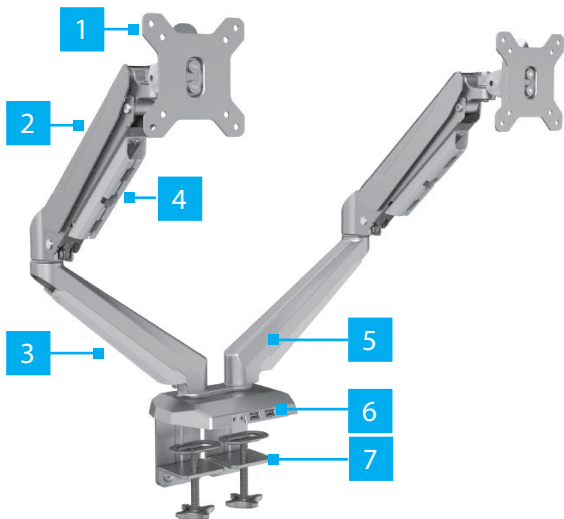
### Säkerhetsåtgärder

- Kablar (inklusive elkablar och laddningskablar) ska dras och placeras på så sätt att risk för snubblingsolyckor och andra olyckor kan undvikas.

# Table of Contents

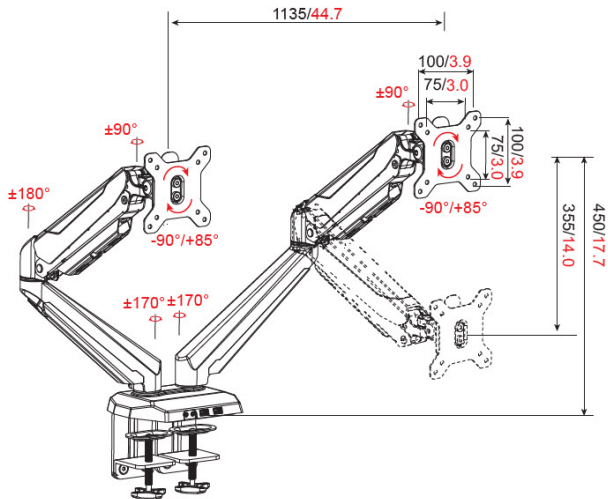
<b>Warning Statements</b> .....	<b>2</b>
<b>Safety Statements</b> .....	<b>4</b>
<b>Product Diagram</b> .....	<b>6</b>
Product Dimensions.....	7
<b>Product Information</b> .....	<b>8</b>
Package Contents .....	8
Product Specifications.....	11
Requirement .....	12
<b>Assembling the Monitor Mount</b> .....	<b>13</b>
<b>Mounting the Monitors</b> .....	<b>17</b>
<b>Adjusting the Monitor Mount</b> .....	<b>20</b>
Adjusting the Spring Arm Tension .....	20
Adjusting the Tilt .....	22
Adjusting the Swivel .....	23
<b>Routing the Cables</b> .....	<b>25</b>
<b>Using the 3.0 USB Passthrough Ports</b> .....	<b>27</b>
<b>Using the 3.5 mm Audio Port</b> .....	<b>28</b>

## Product Diagram



<b>1</b>	<i>VESA Holder</i>	<b>5</b>	<i>Lower Arm</i>
<b>2</b>	<i>Upper Spring Arm</i>	<b>6</b>	<i>USB Ports and 3.5 mm Audio Ports</i>
<b>3</b>	<i>Cable Cover</i>	<b>7</b>	<i>C-Clamp</i>
<b>4</b>	<i>Cable Clip</i>		

## Product Dimensions

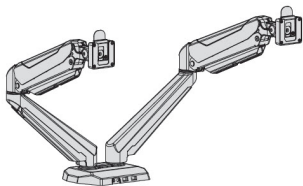


**Note:** The measurements displayed are maximum measurements and are in mm/inches, unless otherwise specified.



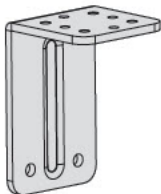
## Product Information

### Package Contents



*Arm Assembly*

**Qty: 1**



*Upper Clamps*

**Qty: 2**



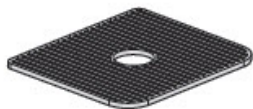
*Lower Clamps*

**Qty: 2**



*VESA Mounts*

**Qty: 2**



*Rubber Pads*

**Qty: 2**



*M4 x 12 mm Screws*

**Qty: 8**



*M4 x 30 mm Screws*

**Qty: 8**



*Plastic Spacers*

**Qty: 8**



**4 mm Hex Key**

**Qty: 1**



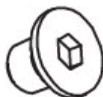
**5 mm Hex Key**

**Qty: 1**



**M6 x 12 mm Screws**

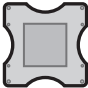



**Qty: 8**





**M8 x 12 Screws**

**Qty: 4**

## Product Specifications

 <p><b>VESA</b></p>	<p><b>75 x 75</b> <b>100 x 100</b></p>
 <p><b>Rotation</b></p>	<p><b>- 360° to + 360°</b></p>
 <p><b>Tilt</b></p>	<p><b>- 90° to + 85°</b></p>
 <p><b>Total Weight (two monitors)</b></p>	<p><b>17.6 lb (2 x 8 kg)</b></p>

 <p><i>Screen Size</i></p>	<p><i>15" to 32"</i></p>
 <p><i>Swivel</i></p>	<p><i>-90° to +90°</i></p>

## Requirement

### Tools

- Phillips Head Screwdriver x 1

### Displays

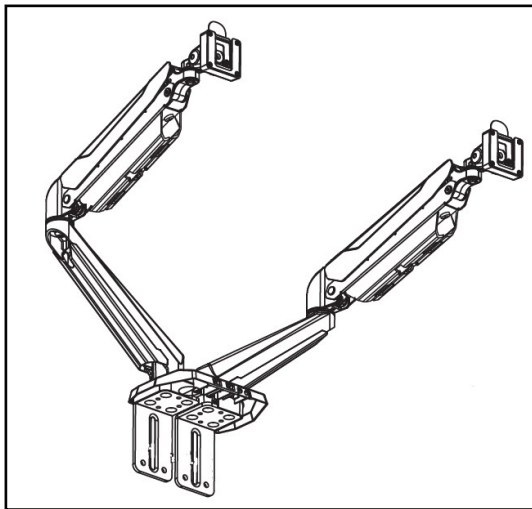
- 15" to 32" Displays x 2

### Optional

- USB Cables x 2
- USB Compatible Devices x 2
- 3.5 mm Headset

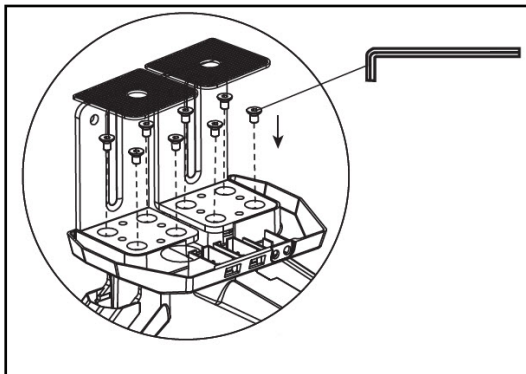
## Assembling the Monitor Mount

1. Align the four **Screw Holes** on the top of the **Upper Clamps** with the four **Screw Holes** on the bottom of the **Base** of the **Arm Assembly**.



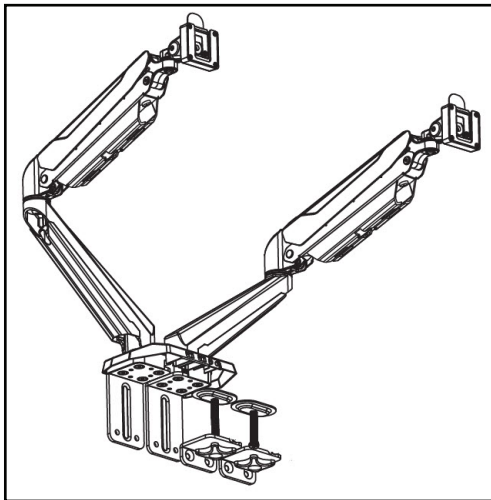
### *Installing the Upper Clamps*

2. Insert eight **M6 x 12 mm Hex Screws** through the **Screw Holes** on the **Upper Clamps** and into the **Screw Holes** on the bottom of the **Base**.
3. Using the **4 mm Hex Key**, tighten the **M6 x 12 mm Screws**, being careful not to over-tighten.



*Installing the M6 x 12 mm Screws*

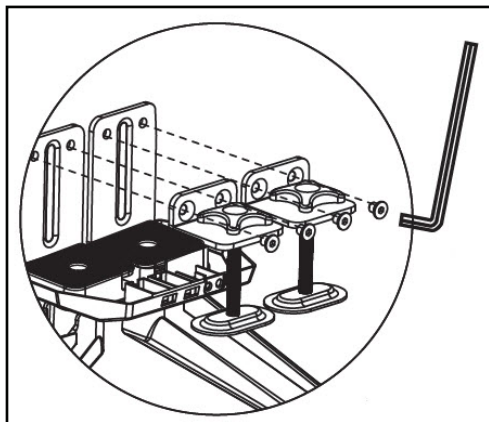
4. Remove the backing from the **Rubber Pads**.
5. Apply the adhesive side of the **Rubber Pads** onto the bottom of the **Upper Clamps** covering the **M6 x 12 mm Screws**.
6. Align the two **Screw Holes** on the **Lower Clamps** with two **Screw Holes** on the bottom of the **Upper Clamps**.



### *Installing the Lower Clamps*

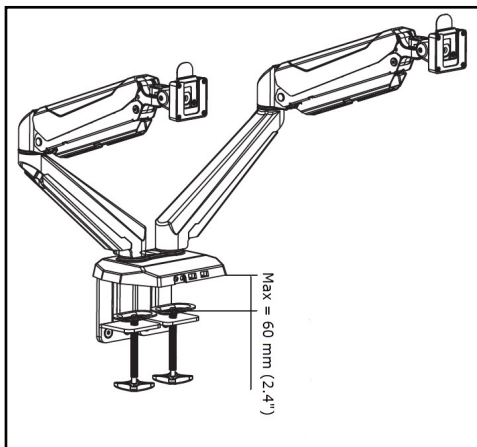
7. Insert four **M8 x 12 mm Screws** through the **Screw Holes** on the **Lower Clamps** and into the **Screw Holes** in the **Upper Clamps**.
8. Using the **5 mm Hex Key**, tighten the **M8 x 12 mm Screws**, being careful not to over-tighten.





### *Tightening the M8 x 12 mm Screws*

9. Align the **C-Clamp Assembly** with the edge of the **Mounting Surface**.
10. Slide the **C-Clamp Assembly** over the edge of the **Mounting Surface**.
11. From underneath the **Mounting Surface**, tighten the two **Thumb Screws** at the bottom of the **C-Clamp Assembly**. Tighten the **Thumb Screws** until the **C-Clamp Plate** is pressed tightly against the bottom of the **Mounting Surface**.



*C-Clamp Dimensions*

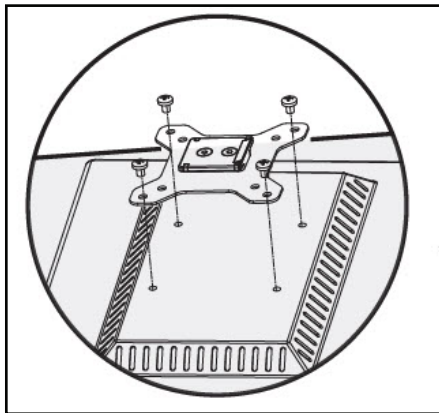
## Mounting the Monitors

1. Place the **Monitor** screen side down on a flat, clean surface.
2. (Optional) Remove any **Screws** or **Place Holders** from the **VESA Mounting Holes** on the back of the **Monitor**.

**Note:** *Be careful not to remove any of the **Screws** holding the **Monitor's Casing** together.*

3. Align the **Screw Holes** on the **VESA Mount** with the **VESA Mounting Holes** on the back of the **Monitor**. The **VESA Mount** can support 75 x 75 or 100 x 100 mounting pattern.

**Note** When attached, the **Arrow** on the **VESA Mount** should be point upward.



### *Aligning the VESA Mount with Monitor*

4. Select the appropriate hardware for mounting the **VESA Mount** to the back of the **Monitor** either **M4 x 12 mm**, **M4 x 30 mm**, or customer sourced screws.
5. Insert the appropriate **Screws** through the **Screw Holes** on the **VESA Mount** and into the **VESA Mounting Holes** on the back of the **Monitor**.
6. (Optional) For recessed surface mounting, align the four **Spacers** with the **VESA Mounting Holes** on the back on the **Monitor**, prior to securing the **VESA Mount** to the **Monitor**.

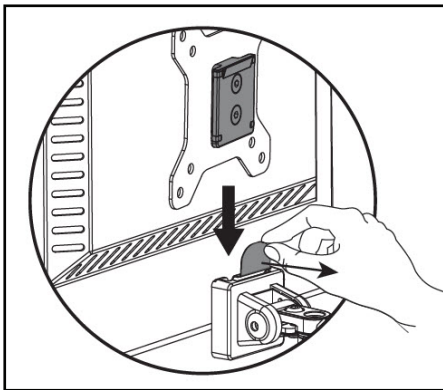
- Using a **Phillips Head Screwdriver** (or appropriate screwdriver) tighten the screws.

**Note:** Do not over-tighten the **Screws**. If you encounter resistance while you're tightening the **Screws**, stop tightening. Failure to do so could result in damage to the **Monitor**.

- Repeat steps 1 - 7 to install the **VESA Mount** of the second **Monitor**.

**Note:** It is recommended that two people mount the **Monitors**.

- Pull the **VESA Clip** on the **VESA Holder** back towards the **Spring Arm**.



**Pulling back the VESA Clip**

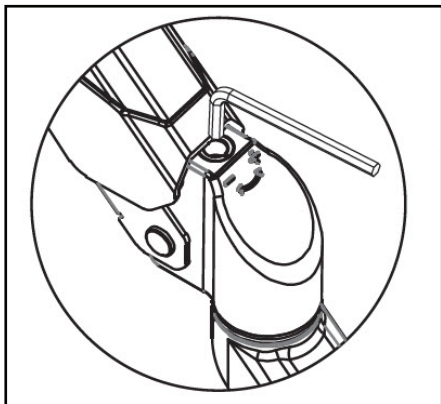
**Note:** *The **VESA Clip** on the **VESA Holder** should be upright before mounting the **Monitor**.*

10. While holding the **VESA Clip** and supporting the weight of the **Monitor**, align the **Mounting Plate** of the **VESA Mount** with the **VESA Holder** on the **Spring Arm**.
11. Slide the **Mounting Plate** on the **VESA Mount** down into the **VESA Holder** until the **Mounting Plate** is sitting on the bottom of the **VESA Holder** and the **VESA Clip**, once released will hold the top of the **Mounting Plate** in place.
12. While holding the **Monitor** in place, release the **VESA Clip**, securing the **Monitor** in place.
13. Repeat steps 9 - 12 to mount the second **Monitor**.

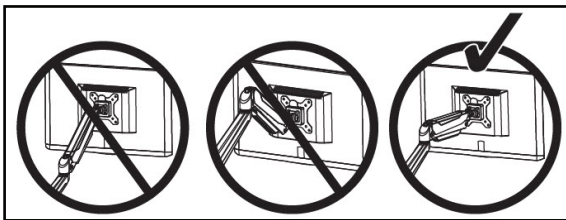
## Adjusting the Monitor Mount

### Adjusting the Spring Arm Tension

1. Using your hand push downward on the **Spring Arm** and hold it in place.
2. The **Spring Arm** should only be placed in a horizontal position.
3. Use the **5 mm Hex Key** to rotate the **Adjustment Screw** located at the base of the **Spring Arm**, clockwise (decreasing tension) or counter clockwise (increasing tension).



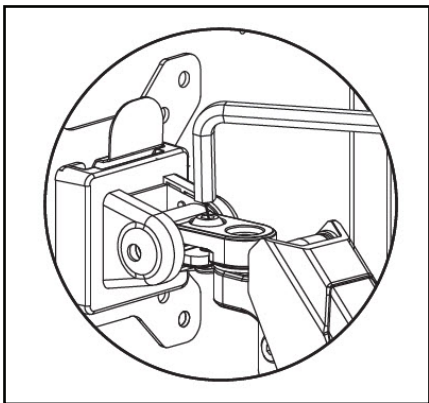
*Adjusting the Spring Arm Tension*



*Correct Spring Arm Position*

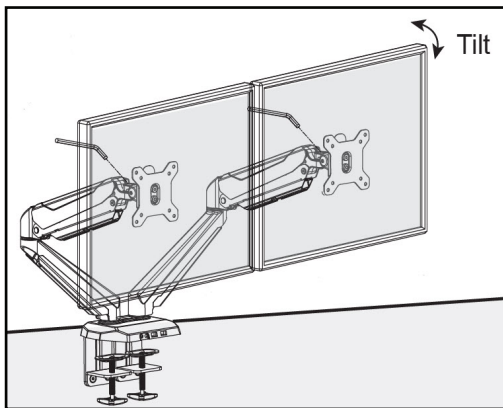
## Adjusting the Tilt

1. Use the **5 mm Hex Key** to loosen the **Tilt Adjustment Screw** located at the back of the **VESA Holder** (the hex screw closest to the back of the **Monitor**).



*Loosening the Tilt Adjustment Screw*

2. Use your hand to adjust the tilt of the **Monitor**.



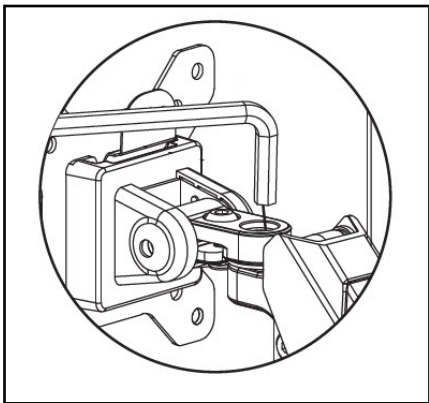
### *Adjusting the Monitor Tilt*

3. When you have achieved the desired tilt, hold the **Monitor** in that position and tighten the **Tilt Adjustment Screw**.

## Adjusting the Swivel

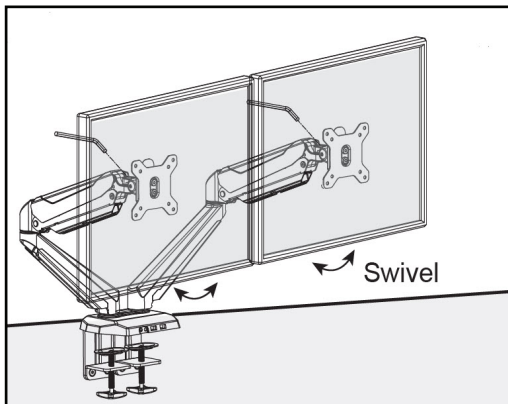
1. Use the **5 mm Hex Key** to loosen the **Swivel Adjustment Screw** located at the back of the **VESA Holder** (the hex screw closest to the **Spring Arm**).





*Loosening the Swivel Adjustment Screw*

2. Use your hand to adjust the swivel of the **Monitor**.

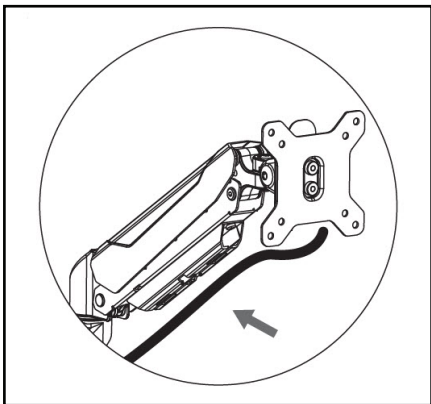


### *Adjusting the Monitor Swivel*

3. When you have achieved the desired swivel, hold the **Monitor** in that position and tighten the **Swivel Adjustment Screw**.

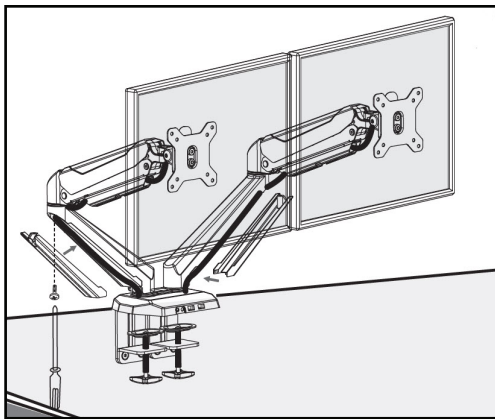
## **Routing the Cables**

1. Run the **Monitor Cables** along the inside of the **Spring Arm**.
2. Gently push the **Monitor Cables** into the **Cable Clip** located along the inside of the **Spring Arm**.



### *Routing the Monitor Cables Along the Spring Arm*

3. Run the **Monitor Cable** through the joint between the **Upper Spring Arm** and the **Lower Arm**. Make sure that you leave enough slack in the **Monitor Cable** to compensate for arm movement and adjustments.
4. Using a **Phillips Head Screwdriver**, remove the **Screw** from the **Cable Cover**, located on the outside of the **Lower Arm**, detaching the **Cable Cover** from the **Lower Arm**.
5. Route the **Monitor Cables** down the **Lower Arm**, on either side of the **Screw Hole** on the **Cable Cover**.
6. Replace the **Screw** removed in step 4, securing the **Cable Cover** to the **Lower Arm**, being careful not to pinch the **Monitor Cable** between the **Cable Cover** and **Lower Arm**.



*Removing the Cable Covers*

## Using the USB Passthrough Ports

1. Plug the two **USB Cables** on the back of the **Base** into **USB Ports** on the **Host Computer**.
2. Connect a **USB Cable** to the **USB Ports** on the front of the **Base** and the other end to a compatible **USB Device**.

## Using the 3.5 mm Audio Port

### Headset or Speakers

1. Plug the **Audio Cable** (green) located at the back of the **Monitor Mount Base** into the appropriate **Audio Port** on the **Host Computer**.
2. Plug the **Audio Cable** from the **Headset** or **Speakers** into the **Audio Port** (green) on the base of the **Monitor Mount**.

### Microphone

3. Plug the **Microphone Cable** (pink) located at the back of the **Monitor Mount Base** into the **Microphone Port** on the **Host Computer**.
4. Plug the **Cable** from the **Microphone** into the **Microphone Port** (pink) on the base of the **Monitor Mount**.

## Warranty Information

This product is backed by a two-year warranty.

For further information on product warranty terms and conditions, please refer to [www.startech.com/warranty](http://www.startech.com/warranty).

## Limitation of Liability

In no event shall the liability of StarTech.com Ltd. and StarTech.com USA LLP (or their officers, directors, employees or agents) for any damages (whether direct or indirect, special, punitive, incidental, consequential, or otherwise), loss of profits, loss of business, or any pecuniary loss, arising out of or related to the use of the product exceed the actual price paid for the product.

Some states do not allow the exclusion or limitation of incidental or consequential damages. If such laws apply, the limitations or exclusions contained in this statement may not apply to you.

## Hard-to-find made easy. At StarTech.com, that isn't a slogan. It's a promise.

StarTech.com is your one-stop source for every connectivity part you need. From the latest technology to legacy products — and all the parts that bridge the old and new — we can help you find the parts that connect your solutions.

We make it easy to locate the parts, and we quickly deliver them wherever they need to go. Just talk to one of our tech advisors or visit our website. You'll be connected to the products you need in no time.

Visit [www.startech.com](http://www.startech.com) for complete information on all StarTech.com products and to access exclusive resources and time-saving tools.

StarTech.com is an ISO 9001 Registered manufacturer of connectivity and technology parts. StarTech.com was founded in 1985 and has operations in the United States, Canada, the United Kingdom and Taiwan servicing a worldwide market.

### Reviews

Share your experiences using StarTech.com products, including product applications and setup, what you love about the products, and areas for improvement.

#### StarTech.com Ltd.

45 Artisans Cres.  
London, Ontario  
N5V 5E9  
Canada

FR: [startech.com/fr](http://startech.com/fr)

DE: [startech.com/de](http://startech.com/de)

#### StarTech.com LLP

2500 Creekside Pkwy.  
Lockbourne, Ohio  
43137  
U.S.A.

ES: [startech.com/es](http://startech.com/es)

NL: [startech.com/nl](http://startech.com/nl)

#### StarTech.com Ltd.

Unit B, Pinnacle  
15 Gowerton Rd.,  
Brackmills  
Northampton  
NN4 7BW  
United Kingdom

IT: [startech.com/it](http://startech.com/it)

JP: [startech.com/jp](http://startech.com/jp)