

# nicky clarke



## Frizz Control Straightener

Model No: NSS236 / NSS236-C / NSS236AG

### **INSTRUCTION BOOKLET**

**HOUSEHOLD USE ONLY**

Please **READ** and **RETAIN** for future reference

## **PLEASE RETAIN** **FOR FUTURE REFERENCE**

Thank you for purchasing your Nicky Clarke Frizz Control Straightener.  
To get the best from your new straightener, take a few moments to read these instructions and keep them in a safe place for future reference.  
Should you require any further assistance, our friendly Customer Service team will be happy to help.

### **Aftersales Service**

---

This appliance is built to the very highest of standards. There are no user serviceable parts. If the unit fails to operate correctly, please follow these steps:

- 1) Check the instructions within this booklet have been followed correctly.
- 2) Check the socket is powered and working using another appliance.
- 3) Check the fuse in the plug has not blown.
- 4) Check the mains supply is functional.
- 5) Check the appliance is switched on. **DO NOT** Open the case of the product or attempt anything other than basic cleaning maintenance.
- 6) Leave the product to cool for 30 minutes and check whether it works again.

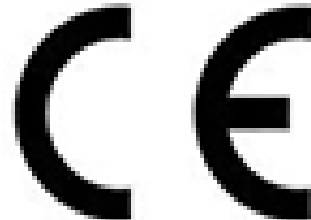
If the appliance still fails to operate then please contact us at the below **BEFORE** returning to place of purchase:

For Customer Services please call **0345 209 7461**  
Or visit us at **[www.nickyclarke.com](http://www.nickyclarke.com)**

## Safety Instructions

---

IMPORTANT SAFETY INSTRUCTIONS  
READ CAREFULLY AND KEEP FOR FUTURE REFERENCE



### WARNING:

- It is hazardous for anyone other than a competent person to carry out any service or repair operation that involves the removal of a cover which gives protection against exposure to electrical parts.
- This product is intended for household use only. **DO NOT** use outdoors.
- This appliance can be used by children aged from 8 years and above and persons with reduced physical, sensory or mental capabilities or lack of experience and knowledge if they have been given supervision or instruction concerning use of the appliance in a safe way and understand the hazards involved. Children shall not play with the appliance. Cleaning and user maintenance shall not be made by children unless they are older than 8 and supervised. Keep the appliance and its cord out of reach of children less than 8 years.
- **DO NOT** wrap the cord around the appliance.
- **DO NOT** immerse in water or other liquids for cleaning.

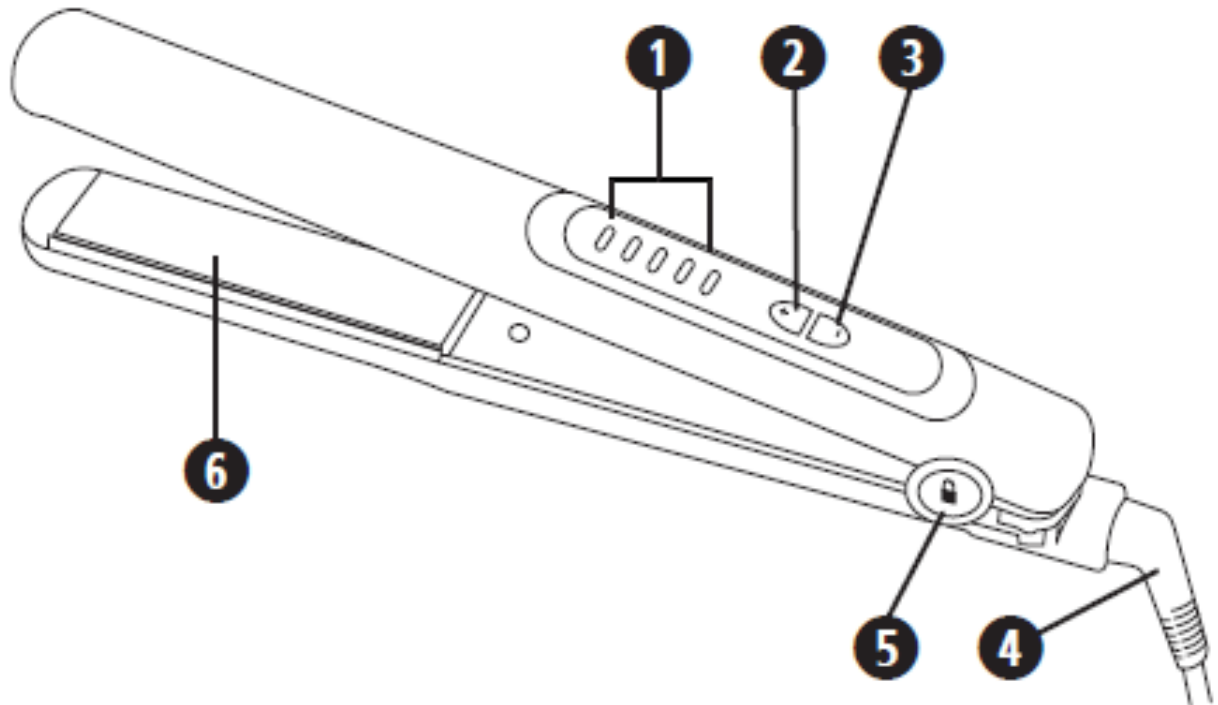
- **EU ONLY:** If this appliance is used in a bathroom you **MUST** install a residual current device (RCD) with a rated operating current not exceeding 30mA in the electrical circuit supplying the bathroom. An electrician will advise you of this.\*
- If the straightener is used in a bathroom, unplug it immediately after as the proximity of water presents a hazard even when the straightener is switched off
- **DO NOT** store or use the unit outdoors or on wet surfaces.
- **DO NOT** handle the plug or appliance with wet hands.
- Use only as described in this manual.
- **DO NOT** abuse the power cord; never carry the appliance by the cord or pull cord to disconnect from an outlet; grasp the plug and pull to disconnect from an outlet.
- Keep clothing, fingers, and all parts of the body clear of hot parts.
- **NEVER** leave the appliance unattended when switched on.
- **NEVER** remove parts from the appliance such as the case, screws and so on.
- Only use the accessories supplied by the manufacturer.
- **NEVER** put any objects into the openings on the outer case.

**\*The fitting of an electrical socket for, or capable of, operating the appliance, is not permitted in the UK. Nevertheless, European standards require us to include this warning in these instructions**

- This appliance is authorized for household/residential use only **DO NOT** operate this appliance for anything other than its intended use.
- **DO NOT** allow to be used as a toy. Close attention is necessary when used by or near children.
- Children should be supervised to ensure they don't play with the appliance.
- Use only as described and for the uses described in this manual.
- **DO NOT** use the appliance if the power cord or plug has been damaged.
- **DO NOT** use appliance if it has been dropped, damaged, left outdoors, or dropped in water. Contact customer services for advice.
- Keep power cord away from heated surfaces (e.g., cooking surfaces).
- **NEVER** use the appliance near showers, bathtubs, basins, or other vessels containing water.
- **DO NOT** put any objects into openings.
- Keep free of dust, lint, and hair.
- Turn off and allow to cool the straightener before storing.
- Always allow the appliance to cool on a heat resistant surface before cleaning and storing it.

## Feature Diagram

---



The illustrations in these instructions may differ slightly from the actual unit supplied.

- 1) Temperature indicator lights.
- 2) On/Temperature increase button
- 3) Off/Temperature decrease button
- 4) Swivel cord
- 5) Storage lock switch
- 6) Ionic tourmaline coated ceramic plates

For Customer Services please call **0345 209 7461**  
Or visit us at **[www.nickyclarke.com](http://www.nickyclarke.com)**

## **Preparing for Use**

---

- 1) Remove all packaging and keep it safe until you are satisfied with your product
- 2) DO NOT plug in the straightener until you are ready to use it
- 3) Check the unit for any visual damage such as:
  - a. Misaligned or damaged parts
  - b. Damage to the body, plug or power cord
- 4) If you can see any damage do not use the straightener and contact customer services.
- 5) Your straightener has a safety lock for when it is in storage. The safety lock should never be used when the straightener is switched on, or cooling down. To use the lock close the straightener and twist the locking ring to the position. To open the straightener, twist the locking ring to the position.

## **Tourmaline & Ionic Technology**

---

Your Nicky Clarke hair straightener uses tourmaline technology which helps make hair softer and easier to style. Tourmaline is a precious stone that has been finely crushed and added to the ceramic coating, promoting natural benefits for the hair.

Your straightener features ionic technology which produces a flow of negative ions which may help to enhance and condition your hair, neutralising natural positive ions, which

create electrostatic electricity (which causes frizz). The ionic feature may help to rejuvenate your hair leaving it soft and shiny.

## Using Your Straightener

---

**Please be aware that your straightener can become very HOT! Do not touch on the ceramic coated plates.**

- 1) Ensure your hands are dry and your hair is completely dry and tangle free before using your straightener.
- 2) Ensure there is no moisture on the appliance, or on the plug
- 3) Plug the unit into a suitable mains supply and switch on. Select the desired heat/speed setting.
- 4) Ensure that the arms of your straightener are fully open while they are heating. If the arms are in the locked position, twist the locking ring to the position. Always place your straightener on a solid, flat, stable, heat resistant surface. Do not place your straightener on a soft or uneven surface such as a carpet, bedding or rug and never cover your straightener. The plates reach high temperatures very quickly.
- 5) Switch your straightener on by pressing and holding the on/temperature increase button for about 4 seconds. The LED for heat setting 1 will flash and your straightener will start to heat up. When the temperature has been reached the LED will stop flashing and stay lit.



- 6) Select the most suitable heat setting for your hair type using the temperature increase (+) and decrease (-) buttons. As with all products that reach salon high temperatures, do not use your straightener too frequently to avoid damaging your hair.
- 7) The LED will flash for the temperature you have selected while your straightener heats up. When the LED stops flashing and stays lit, your straightener is ready to use.
- 8) Separate a section of hair approximately 5cm in width and smooth it out with a brush.
- 9) Place the chosen section of hair between the plates of your straightener and close the plates. Take care not to touch the plates which are very hot with your fingertips. Hold the straightener in place until the section of hair is fully heated. This will be almost instantaneous.
- 10) Once your hair is heated, carefully slide the plates in one smooth movement all the way down to the ends of your hair whilst holding it taut.
- 11) Keep the section of hair smooth whilst you work in order to avoid ridges and kinks.
- 12) Switch off by pressing the off/temperature decrease button for about 4 seconds and unplug your straightener immediately after use. Always allow your straightener to completely cool down on a heat proof mat before storing.

## Cleaning and Maintenance

---

To ensure your straightener remains at its optimal performance, it will require regular cleaning and maintenance.

- 1) Switch the straightener off, unplug from the mains, allow to cool fully, and discharge any residual charge by pressing the On switch to the On position, before returning to Off.
- 2) Wipe over the casing using a soft damp cloth (if necessary a very small amount of washing up liquid may be used on the outer case only). **DO NOT** immerse the unit in water or any liquid.
- 3) **DO NOT** use any harsh abrasives or cleaners as these will damage the appliance.

**NEVER ATTEMPT TO CLEAN THE STRAIGHTENER BY INSERTING AN IMPLEMENT**

If you have long hair or use large amounts of styling products, clean the plates regularly i.e. once a month

## Guidance for Settings

---

Setting	Hair Type
1	Fine
2	Medium Fine
3	Medium
4	Thick
5	Very Thick

## **Troubleshooting**

---

Your straightener will stop working if it has overheated.

- 1) Unplug the straightener.
- 2) Allow it to cool completely.
- 3) Clean the plates.
- 4) Plug your straightener in and use normally.

In the unlikely event that your straightener continues to overheat, unplug it and contact customer services.

## **Storage**

---

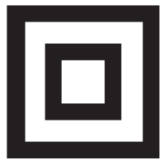
Ensure your straightener is completely cool and dry. Do not wrap the supply cord around your straightener. Ensure the plates are sufficiently cooled before locking the straightener. Store your straightener in a cool, dry, safe place out of the reach of children.

## Connecting to the Mains Supply

---

This appliance has been designed for BS Plug outlets only. It can be used with a suitable adapter, but under no circumstances should the plug ever be removed and changed for a different type. Any action to physically change the plug outside of changing the fuse will void the warranty on this appliance.

If the fuse in a moulded plug needs to be changed, the fuse cover must be refitted. The appliance must not be used without the fuse cover fitted.



This symbol indicates that this unit is a Class II appliance and therefore an earth connection is not required.

For Customer Services please call **0345 209 7461**  
Or visit us at **[www.nickyclarke.com](http://www.nickyclarke.com)**

## Guarantee

---

### **PLEASE RETAIN YOUR RECEIPT AS PROOF OF PURCHASE**

At Nicky Clarke, we take all our customer feedback seriously.

Contact our Customer Service Team, on 0345 209 7461 who will be more than happy to assist you.

This product is guaranteed for 12 months from the date of the original purchase. If any defect arises due to faulty materials or workmanship, the faulty product must be returned to the place of purchase with original proof of purchase. Refund or replacement is at the discretion of the retailer.

#### The following conditions apply:

- The product must be returned to the retailer with the original proof of purchase.
- The product must be installed and used in accordance with the instructions contained in this instruction guide and any other instructions for use which are supplied.
- It must be used for domestic purposes only and for its intended use.
- This warranty does not cover wear and tear, damage, misuse, use with incorrect voltage, acts of nature or consumable parts.

**THIS DOES NOT AFFECT YOUR STATUTORY RIGHTS**

# Notes

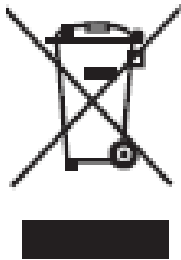
# Notes

For Customer Services please call  
**0345 209 7461**

Or visit us at [www.nickyclarke.com](http://www.nickyclarke.com)

Revision 2.4

Model: **NSS236 / NSS236-C / NSS236AG**



This symbol is known as the 'Crossed-out wheellie bin Symbol'. When this symbol is marked on a product/batteries, it means that the product/batteries should not be disposed of with your general household waste. Only discard electrical/electronic/battery items in separate collection schemes, which cater for the recovery and recycling of materials contained within. Your co-operation is vital to ensure the success of these schemes and for the protection of the environment. For your nearest disposal facility, visit [www.recycle-more.co.uk](http://www.recycle-more.co.uk) or ask in store for details.

We reserve the right, due to possible changes to design, to alter the instruction manual without prior notice.

All rights reserved. Imported and distributed by G2S Ltd on behalf of Nicky Clarke©, Green Bank Business Park, Swan Lane, Hindley Green, Wigan, WN2 4AY

This product may differ slightly from the one illustrated.