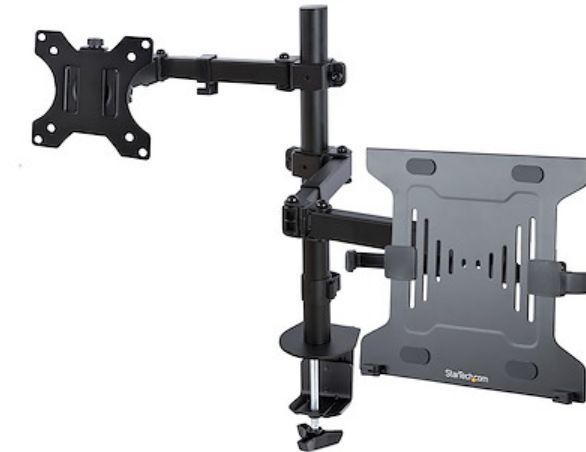


Monitor Arm with VESA Laptop Tray, For a Laptop (4.5kg/9.9lb) and a Single Display up to 32" (8kg/17.6lb), Black, Vented Tray, Adjustable Laptop Arm Mount, C-clamp/Grommet Mount

**Product ID:** A2-LAPTOP-DESK-MOUNT



Increase your desk space and add versatility and ergonomics to your work/home setup with this VESA-compatible laptop and monitor desk mount. The laptop tray (11.8x11in / 300x280mm) is large enough to hold a laptop between 9.4-16.5in (240-420mm) wide, 1in (25.4mm) thick, and up to 10lbs (4.5kg). The monitor arm allows you to mount a VESA compatible (75x75mm or 100x100mm) display up to 32in with a maximum weight of 17.6lbs (8kg).

This well-ventilated laptop tray includes rubber pads to prevent scuffs and scratches. In addition, the tray features two independent adjustable padded arms that serve as a cradle to secure the laptop and can be independently positioned and secured along the sides of the tray to prevent blocking any port configuration on a laptop. The tray and monitor mount are both solid steel.

The VESA mounts offer wide adjustability options such as tilt +/-45 swivel +/-90, and rotation 360. The height can be adjusted along the 17.4in / 443mm pole and the arms can also extend out a maximum of 15.7in / 399mm out. Two joints (at the pole and middle of the arms) allow them to swivel +/-180.

The multiple adjustment options allow the laptop to be positioned at eye level improving your posture and comfort, and when positioning the monitor mount beside it, enhances your screen real estate and productivity.

Using the interchangeable desk clamp (C-clamp) you can easily attach and secure the mount to a desk or grommet hole by hand (grommet hole 0.39-2.36in / 10-60mm and desks 0.39-3.46in / 10-88mm thick). You can remove the laptop tray or monitor with no tools for hassle-free changes in your setup. To keep everything neatly arranged, cable management clips around the support arms keep the cables organized and out of the way.

A2-LAPTOP-DESK-MOUNT is backed for 5-years by StarTech.com, including free lifetime 24/5 multi-lingual technical assistance.

## Certifications, Reports and Compatibility

## Applications

## Features

- **MONITOR ARM AND LAPTOP TRAY:** This black dual-purpose mount allows you to mount a laptop using the ventilated VESA laptop tray and up to a 32" display with basic articulation & height adjustment. Capacity 8kg/17.6lb monitor and 4.5kg/10lb laptop
- **SECURE LAPTOP MOUNT:** Adjustable padded arms secure a laptop (9.4 - 16.5" wide) at different tray angles. Arms can be positioned to avoid blocking laptop ports. Stoppers at the bottom with variable heights (0.5" or 0.9") prevent the laptop from sliding off
- **RANGE OF MOTION:** The laptop tray and monitor VESA mount have a wide range of motion with +/- 45 tilt, +/- 90 swivel, and 360 rotation (portrait/landscape). The desk monitor mount is compatible with VESA mount patterns 75x75 & 100x100mm
- **RANGE OF ARTICULATION:** The height of both arms can be independently positioned and secured along the 17.4in/443mm pole and extend up to 15.71in/399mm from the pole. The arms have joints that allow them to swivel +/-180
- **EASE OF INSTALLATION:** Interchangeable desk-clamp and grommet monitor mount (both for desks 0.39-3.46in/10-88mm thick) can be tightened by hand. Tools included to adjust tension and height of the desktop monitor arm and laptop arm; Cable mgnt. clips incl.

---

### Hardware

Warranty	5 Years
Wallmountable	No
Cable Management	Yes
Articulating	Yes
# of Displays Supported	1
Mounting Options	Desk & Grommet Clamp
VESA Hole Pattern(s)	75x75 mm 100x100 mm
Mounting Surface Thickness	Desk Clamp: Table Thickness 0.39 - 3.46 in. (10 - 88 mm) Grommet Clamp: Table Thickness 0.39 - 3.46 in. (10 - 88 mm) Grommet Mount Hole Size: 0.39 - 2.36 in. (10 - 60 mm)

---

## Performance

Weight Capacity (Per Display)	282.4 oz [8000 g]
Minimum Display Size	13"
Maximum Display Size	34"
Height Adjustment	Yes
Maximum Height	17.4 in [443 mm]
Maximum Arm Extension	15.7 in [399 mm]
Laptop Arm Extension	15.7 in [399 mm]
Display Tilt	+ 45 / - 45
Laptop Tray Tilt	+ 45 / - 45
Display Swivel	+90 / - 90
Swivel / Pivot	180
Display Rotation	360

---

## Special Notes / Requirements

Note	The VESA Laptop Tray can be rotated up to 360 when mounted to the arm. It is not recommended to do this as the laptop may fall off at the back of the tray.
------	---

---

## Physical Characteristics

Color	Black
Material	Steel and Plastic
Laptop Tray Width	11.8 in [300 mm]
Laptop Tray Height	11.0 in [280 mm]
Product Length	0.0 in [0.0 mm]
Product Width	0.0 in [0.0 mm]
Product Height	0.0 in [0.0 mm]
Weight of Product	0.0 oz [0.0 g]

---



**Packaging Information**

Package Quantity	1
Package Length	12.0 in [30.5 cm]
Package Width	17.6 in [44.8 cm]
Package Height	5.1 in [13.0 cm]
Shipping (Package) Weight	14.0 lb [6.3 kg]

---

**What's in the Box**

Included in Package	2 - VESA mounts
	2 - Swivel arms
	1 - Laptop tray
	2 - Laptop tray arms
	1 - Desk clamp
	1 - Pole
	1 - Pole cap
	1 - Cable management clip
	1 - Grommet base plate
	1 - Grommet clamp plate
	4 - Laptop tray mounting screws
	2 - VESA mount knobs
	5 - Rubber pads
	3 - Pole mounting screws
	1 - 4mm hex key
	1 - 6mm hex key
	8 - M4x12 screws
	8 - M4x16 screws



8 - M5x12 screws

8 - M5x16 screws

8 - Washers

8 - Spacers

---

***\*Product appearance and specifications are subject to change without notice.***

