

FLOOR-TO-CEILING & FLOOR-TO-WALL KITS



With three standard designs to choose from, these Floor-to-Ceiling / Floor-to-Wall Kit contains all the relevant components for an easy installation. These standard, heavy duty and goal post style single or multi-screen solutions are designed for nominal 4m high ceilings as standard, or 2m high for floor-to-wall

Single Column Kits

Suitable for up to 57" screens in either single sided or back-to-back variations.

Floor-to-Ceiling

<i>Order Code</i>		<i>£ Ex Vat</i>
FCUS3	Single Screen	360.00
FCUD3	Back-to-Back	468.30

Floor-to-Wall

<i>Order Code</i>		<i>£ Ex Vat</i>	
FWUS3	Single Screen	316.55	




Twin Column Kits

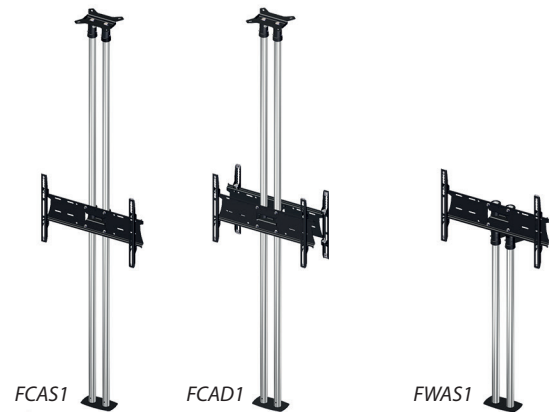
Suitable for up to 70" screens in either single sided or back-to-back variations.

Floor-to-Ceiling

<i>Order Code</i>		<i>£ Ex Vat</i>
FCAS1	Single Screen Floor-to-Ceiling	614.35
FCAD1	Back-to-Back Floor-to-Ceiling	723.30
FCAVM	Optional Set of Infill Panels	396.00

Floor-to-Wall

<i>Order Code</i>		<i>£ Ex Vat</i>	
FWAS1	Single Screen Floor-to-Wall	400.65	
FWAVM	Optional Set of Infill Panels	179.05	




Goal Post Kits

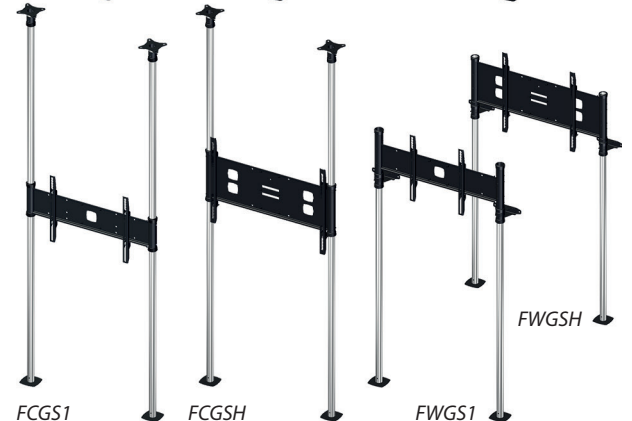
Suitable for up to 70-110" screens in either single sided or back-to-back variations.

Floor-to-Ceiling

<i>Order Code</i>		<i>£ Ex Vat</i>
FCGS1	Single Screen up to 70"	537.80
FCGD1	Back-to-Back up to 70"	636.20
FCGSH	Single Screen up to 110"	667.50
FCGDH	Back-to-Back up to 110"	832.70

Floor-to-Wall

<i>Order Code</i>		<i>£ Ex Vat</i>	
FWGS1	Single Screen up to 70"	470.10	
FWGSH	Single Screen up to 110"	599.80	



Features

- * Robust, stylish screen display system
- * Pre-packaged solution
- * Sturdy, reliable solution for 33-110" displays

CALL 01865 767676 NOW
to order or discuss your requirements

