

## Monitor Riser - Drawer - Height Adjustable

MONSTADJD



\*actual product may vary from photos

FR: Guide de l'utilisateur - [fr.startech.com](http://fr.startech.com)

DE: Bedienungsanleitung - [de.startech.com](http://de.startech.com)

ES: Guía del usuario - [es.startech.com](http://es.startech.com)

NL: Gebruiksaanwijzing - [nl.startech.com](http://nl.startech.com)

PT: Guia do usuário - [pt.startech.com](http://pt.startech.com)

IT: Guida per l'uso - [it.startech.com](http://it.startech.com)

For the latest information, technical specifications, and support for this product, please visit [www.StarTech.com/MONSTADJD](http://www.StarTech.com/MONSTADJD).

## **Use of Trademarks, Registered Trademarks, and other Protected Names and Symbols**

This manual may make reference to trademarks, registered trademarks, and other protected names and/or symbols of third-party companies not related in any way to StarTech.com. Where they occur these references are for illustrative purposes only and do not represent an endorsement of a product or service by StarTech.com, or an endorsement of the product(s) to which this manual applies by the third-party company in question. Regardless of any direct acknowledgement elsewhere in the body of this document, StarTech.com hereby acknowledges that all trademarks, registered trademarks, service marks, and other protected names and/or symbols contained in this manual and related documents are the property of their respective holders.

## Warning statements

Make sure to assemble this product according to the instructions. Failure to do so might result in personal injury or property damage.

This product can support the following weight: 10 kg (22 lb.).

Never operate this product if parts are missing or damaged.

## Varningsmeddelanden

Se till att du monterar produkten i enlighet med instruktionerna. Om du inte gör det kan skada på person eller egendom uppstå.

Denna produkt har stöd för följande vikter: 10 kg.

Använd aldrig produkten om delar saknas eller är skadade.

## Avertissements

Assemblez ce produit conformément aux instructions. Si vous ne respectez pas ces instructions, vous risquez de vous blesser ou d'endommager l'équipement.

Ce produit peut supporter 10 kg.

N'utilisez pas ce produit si des pièces sont endommagées ou manquantes.

## Warnhinweise

Montieren Sie dieses Produkt gemäß den Anweisungen. Anderenfalls kann dies zu Verletzungen von Personen oder Schäden an Eigentum führen.

Dieses Produkt ist für folgendes Gewicht geeignet: 10 kg.

Das Produkt darf nicht bedient werden, wenn Teile fehlen oder beschädigt sind.

## Dichiarazioni di avvertenza

Assemblare il prodotto rispettando le istruzioni. Il mancato rispetto delle istruzioni potrebbe causare danni a persone o proprietà.

Il prodotto è in grado di supportare i seguenti pesi: 10 kg.

Non utilizzare il prodotto in presenza di parti mancanti o danneggiate.

## Mensagens de aviso

Certifique-se de que monta este produto de acordo com as instruções. O incumprimento pode resultar em ferimentos pessoais ou danos de propriedade.

Este produto pode suportar o seguinte peso: 10 kg.

Nunca opere este produto se faltarem peças ou estas estiverem danificadas.

## Advertencias de uso

Asegúrese de ensamblar este producto según las instrucciones. De lo contrario, pueden producirse lesiones personales o daños de propiedad.

Este producto tiene capacidad para el siguiente peso: 10 kg.

Nunca opere o ponga en funcionamiento este producto si faltan piezas o hay daños en las mismas.

## Waarschuwingen

Zorg dat dit product volgens de instructies in elkaar wordt gezet. Indien dit niet goed gebeurt kan lichamelijk letsel of materiële schade ontstaan.

Dit product ondersteunt het volgende gewicht: 10 kg.

Gebruik dit product nooit als er onderdelen ontbreken of beschadigd zijn.

## 注意

必ず取扱説明書に従って本製品の組み立てを行って下さい。取り扱いを誤った場合に、傷害を負う恐れや物的損害が発生する恐れがあります。

本製品は、モニター1台あたり10kgまで支持できます。

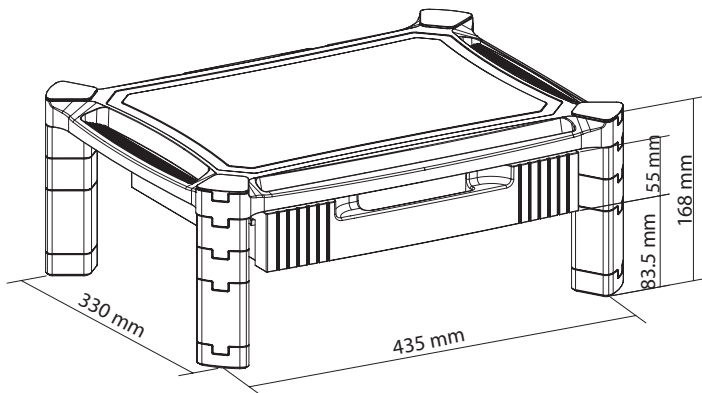
本製品で使用している部品の一部が紛失していたり損傷している状態で使用するのとは絶対に止めて下さい。

# Table of Contents

Warnings .....	i
<b>Introduction .....</b>	<b>1</b>
Product dimensions .....	1
Package contents .....	2
<b>Assembly .....</b>	<b>3</b>
<b>Technical support.....</b>	<b>5</b>
<b>Warranty information.....</b>	<b>5</b>

# Introduction

## Product dimensions

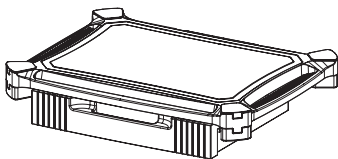


Rated load for MONSTADJD:

10 kg (22 lb.)

# Package contents

1



Stand surface

Qty: One

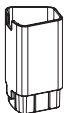
2



Small risers

Qty: Eight

3



Large risers

Qty: Four

4



Instruction manual

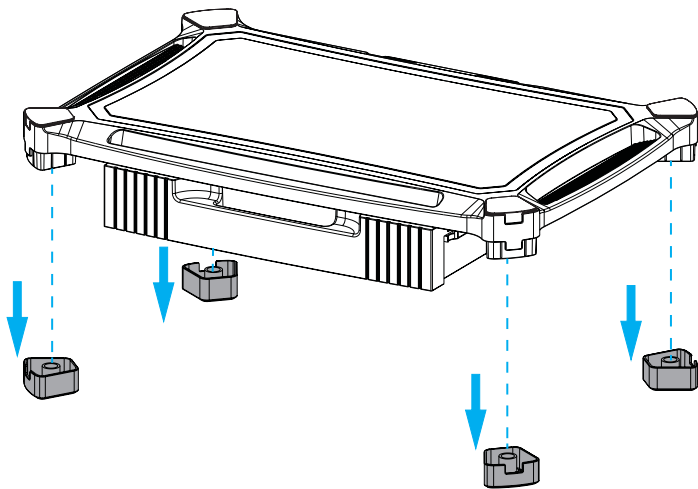
Qty: One

# Assembly

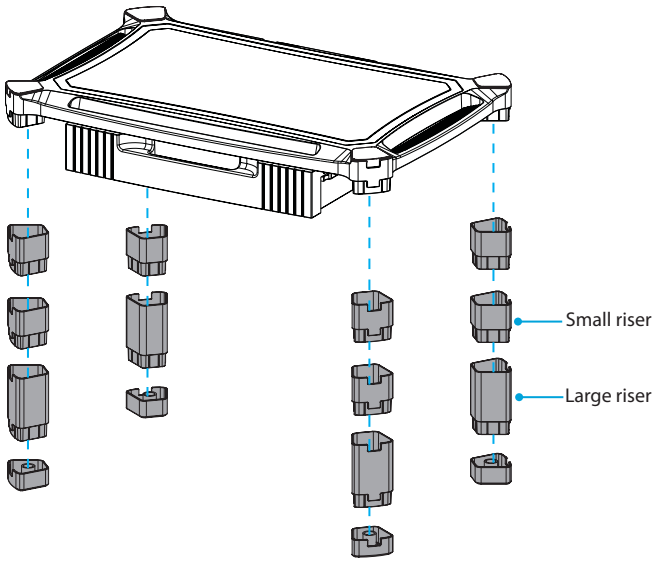
The MONSTADJD ships preassembled.

If you need to increase the height of the MONSTADJD, complete the following steps.

1.



2.





# Technical support

StarTech.com's lifetime technical support is an integral part of our commitment to provide industry-leading solutions. If you ever need help with your product, visit [www.startech.com/support](http://www.startech.com/support) and access our comprehensive selection of online tools, documentation, and downloads.

For the latest drivers/software, please visit [www.startech.com/downloads](http://www.startech.com/downloads)

## Warranty information

This product is backed by a five-year warranty.

StarTech.com warrants its products against defects in materials and workmanship for the periods noted, following the initial date of purchase. During this period, the products may be returned for repair, or replacement with equivalent products at our discretion. The warranty covers parts and labor costs only. StarTech.com does not warrant its products from defects or damages arising from misuse, abuse, alteration, or normal wear and tear.

### Limitation of liability

In no event shall the liability of StarTech.com Ltd. and StarTech.com USA LLP (or their officers, directors, employees or agents) for any damages (whether direct or indirect, special, punitive, incidental, consequential, or otherwise), loss of profits, loss of business, or any pecuniary loss, arising out of or related to the use of the product exceed the actual price paid for the product. Some states do not allow the exclusion or limitation of incidental or consequential damages. If such laws apply, the limitations or exclusions contained in this statement may not apply to you.

Hard-to-find made easy. At StarTech.com, that isn't a slogan. It's a promise.

StarTech.com is your one-stop source for every connectivity part you need. From the latest technology to legacy products — and all the parts that bridge the old and new — we can help you find the parts that connect your solutions.

We make it easy to locate the parts, and we quickly deliver them wherever they need to go. Just talk to one of our tech advisors or visit our website. You'll be connected to the products you need in no time.

Visit [www.startech.com](http://www.startech.com) for complete information on all StarTech.com products and to access exclusive resources and time-saving tools.

*StarTech.com is an ISO 9001 Registered manufacturer of connectivity and technology parts. StarTech.com was founded in 1985 and has operations in the United States, Canada, the United Kingdom and Taiwan servicing a worldwide market.*