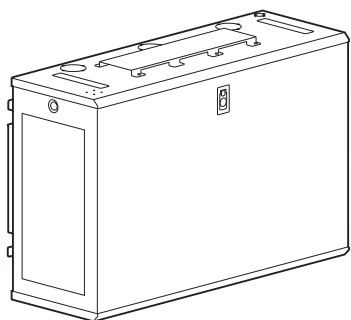




by Schneider Electric

NetShelter™ WX Low-profile Cabinets

Guide for Unpacking and Repacking



Worldwide Customer Support

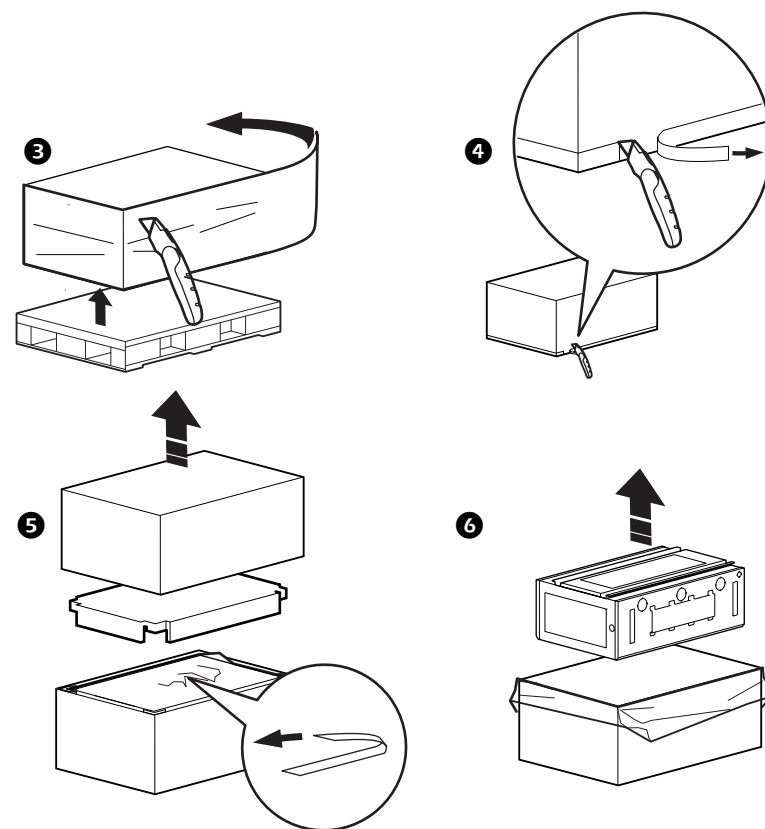
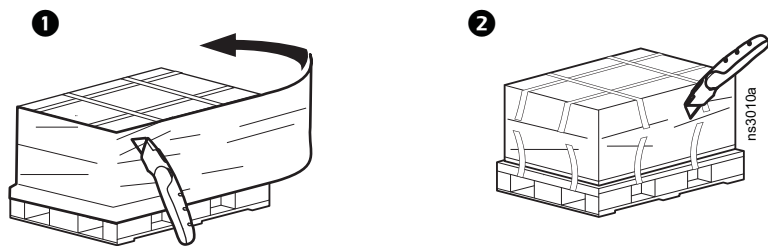
Customer support and warranty information is available at www.apc.com.
© 2019 APC by Schneider Electric. All rights reserved.

990-6228-001

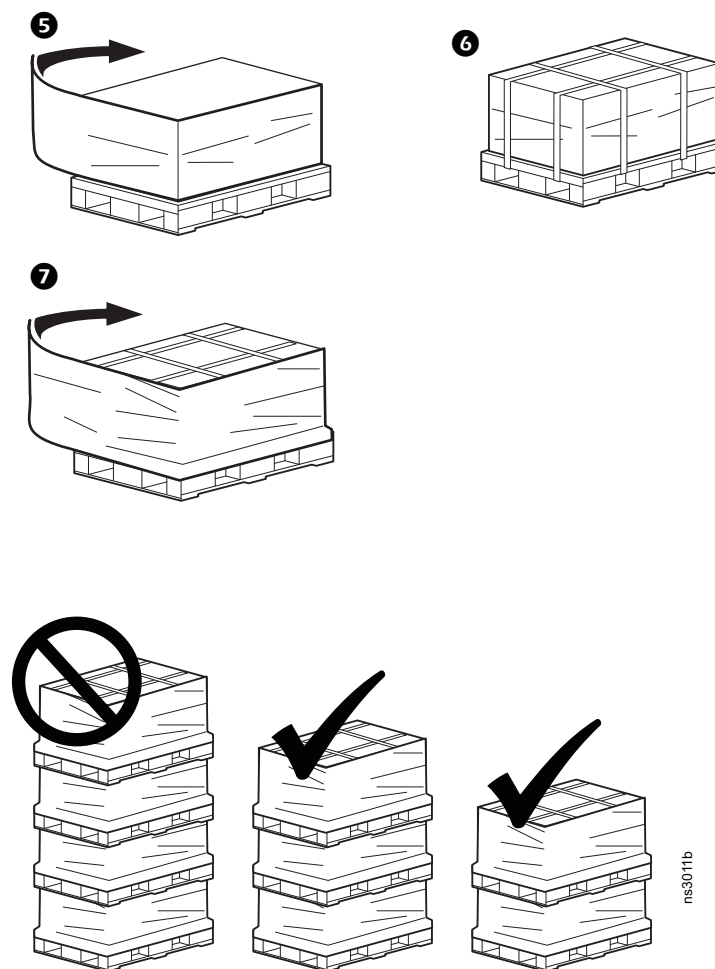
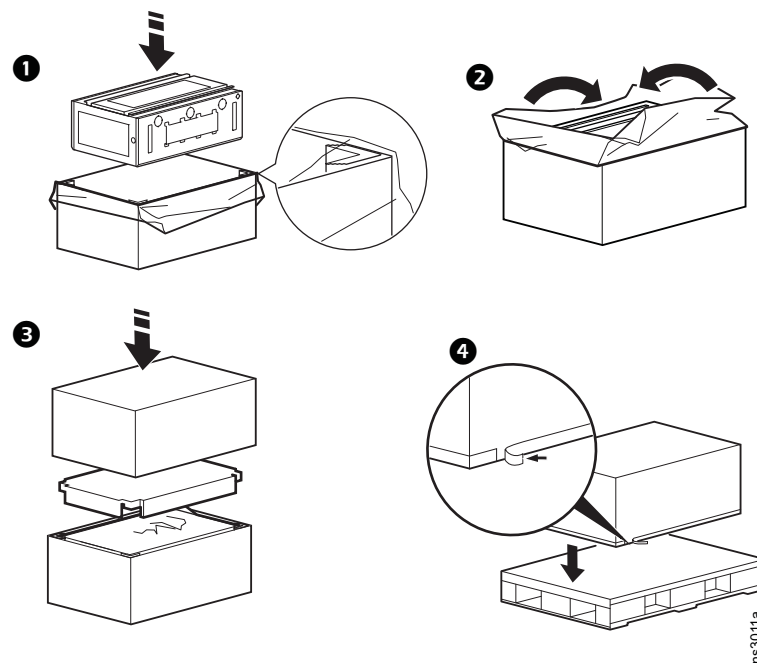
10/2019



Unpacking



Repacking



Specifications

SKU	Unpacked Dimensions H x W x D	Packaged Dimensions H x W x D	Unpacked Weight (empty)	Packaged Weight* (empty)
AR106V AR106VI	650 x 351 x 969 mm (26 x 14 x 38 in)	546 x 749 x 1067 mm (21.5 x 29.5 x 42 in)	34 kg (75 lb)	59 kg (130 lb)

*Each cabinet may be loaded with up to 113 kg (250 lb) of equipment.
 *Jeder Schrank kann mit Ausrüstung von bis zu 113 kg (250 lb) bestückt werden.
 *Cada armario se puede cargar con hasta 113 kg (250 lb) de equipamiento.
 *Chaque armoire peut supporter une charge d'équipement jusqu'à 113 kg (250 lb).
 *Ciascun armadio è in grado di sostenere apparecchiatura per un peso massimo di 113 kg (250 lb).
 *各キャビネットには 113kg (250lb) まで機材を積み込むことができます。
 *Do każdej szafy można włożyć sprzęt ważący do 113kg (250lb).
 *Cada armário permite carga máxima de 113 kg (250lb) de equipamento.
 *В один шкаф можно устанавливать не более 113 кг (250 фунтов) оборудования.
 *Her kabine 113 kg (250 lb) ağırlığa kadar ekipman yüklenebilir.
 *每个柜子可以装载最多 113 公斤 (250 磅) 设备。

