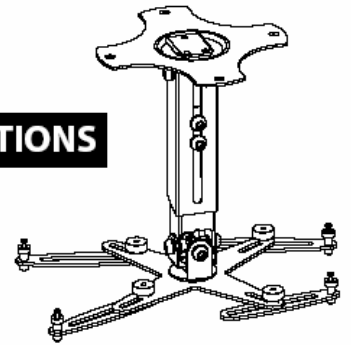




## UNIVERSAL GYROLOCK (GKU) - INSTRUCTIONS

For video projectors up to 12Kg.

Gyrolock units may be fixed to normal or sloping ceilings, with the telescopic section remaining vertical for correct video projector support. When used as a wall mount the telescopic section works as an angled support arm allowing clearance for the tilt and swivel movements. Units can also be base mounted for rear projection or other applications.



**SAFETY.** We recommend installation by a Qualified Tradesperson, using masonry plugs or other reliable fixings to ensure safe installation.  
- Consult your builder or architect if in doubt.

### CEILING INSTALLATION - STANDARD GKU 1 UNIT

Establish the required projector to screen distance and fix the mounting plate and arm unit (A) to the ceiling through the holes provided in the mounting plate.

### PROJECTOR MOUNTING

Fix the Universal plate and telescopic section (B) to the projector using the screws provided. These fixing screws pass through the hollow screws on the end of the universal plate arms (1). Adjust arm lengths (2) by loosening the knurled screws (3) to enable fixing screws to locate into projector fixing holes. Level the Universal plate against the projector by screwing up or down the hollow screws (1).

There are 4 sizes of fixing screw:

Qty 4 M6x30 colour silver

Qty 4 M5x30 colour gold

Qty 4 M4x30 colour black

Qty 4 M3x30 colour silver + 4 washers

Once fixed to the projector, adjust arm lengths (2) to position plate centrally over the projector taking care not to cover any ventilation holes. Tighten knurled screws (3).

### JOINING THE UNIT TOGETHER

Join the 2 parts of the GKU1 together by sliding the bottom half (B) into the top half (A) and fix using the dome headed allen screws (C). Adjust the telescopic section as required and fully tighten screws.

### PROJECTOR ADJUSTMENT

Using the pan, tilt and screen levelling functions adjust the projector alignment. Finally tighten all dome headed screws using the allen key provided.

### RANGE OF DIFFERENT DROP LENGTHS

The GKU2 installers kit comes with alternative telescopic sections which can be used in any combination to give 23-70cm adjustment, intended particularly when working within suspended ceiling voids. The GKU3 version has a longer telescopic section for use with high ceilings. The GKU4 version uses a CP2 Ceiling Plate and chrome column (cut to length), for installations requiring long drops - there is no telescopic section with this model.

