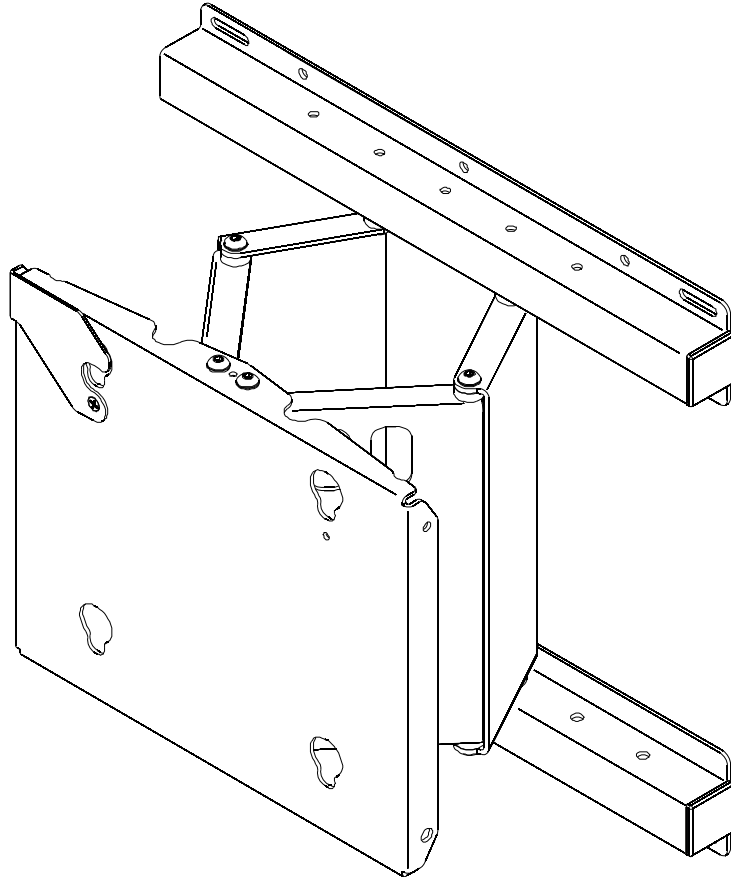


---

# INSTALLATION INSTRUCTIONS

---



---

## Medium Flat Panel Wall Mount


---


## DISCLAIMER


Milestone AV Technologies, and its affiliated corporations and subsidiaries (collectively, "Milestone"), intend to make this manual accurate and complete. However, Milestone makes no claim that the information contained herein covers all details, conditions or variations, nor does it provide for every possible contingency in connection with the installation or use of this product. The information contained in this document is subject to change without notice or obligation of any kind. Milestone makes no representation of warranty, expressed or implied, regarding the information contained herein. Milestone assumes no responsibility for accuracy, completeness or sufficiency of the information contained in this document.


Chief® is a trademark of Milestone AV Technologies. All rights reserved.


## IMPORTANT WARNINGS AND CAUTIONS!

 **WARNING:** A WARNING alerts you to the possibility of serious injury or death if you do not follow the instructions.

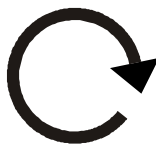
 **CAUTION:** A CAUTION alerts you to the possibility of damage or destruction of equipment if you do not follow the corresponding instructions.

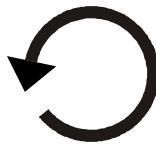
 **WARNING:** Failure to read, thoroughly understand, and follow all instructions can result in serious personal injury, damage to equipment, or voiding of factory warranty! It is the installer's responsibility to make sure all components are properly assembled and installed using the instructions provided.

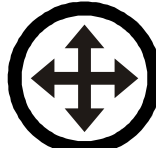
 **WARNING:** Failure to provide adequate structural strength for the installation of this kit can result in serious personal injury or damage to equipment! It is the installer's responsibility to make sure the structure to which this mount is attached can support five times the combined weight of all equipment.


 **WARNING:** Exceeding the weight capacity can result in serious personal injury or damage to equipment! It is the installer's responsibility to make sure the combined weight of all components attached to this mount does not exceed 125 lbs (56.7 kg).

## LEGEND

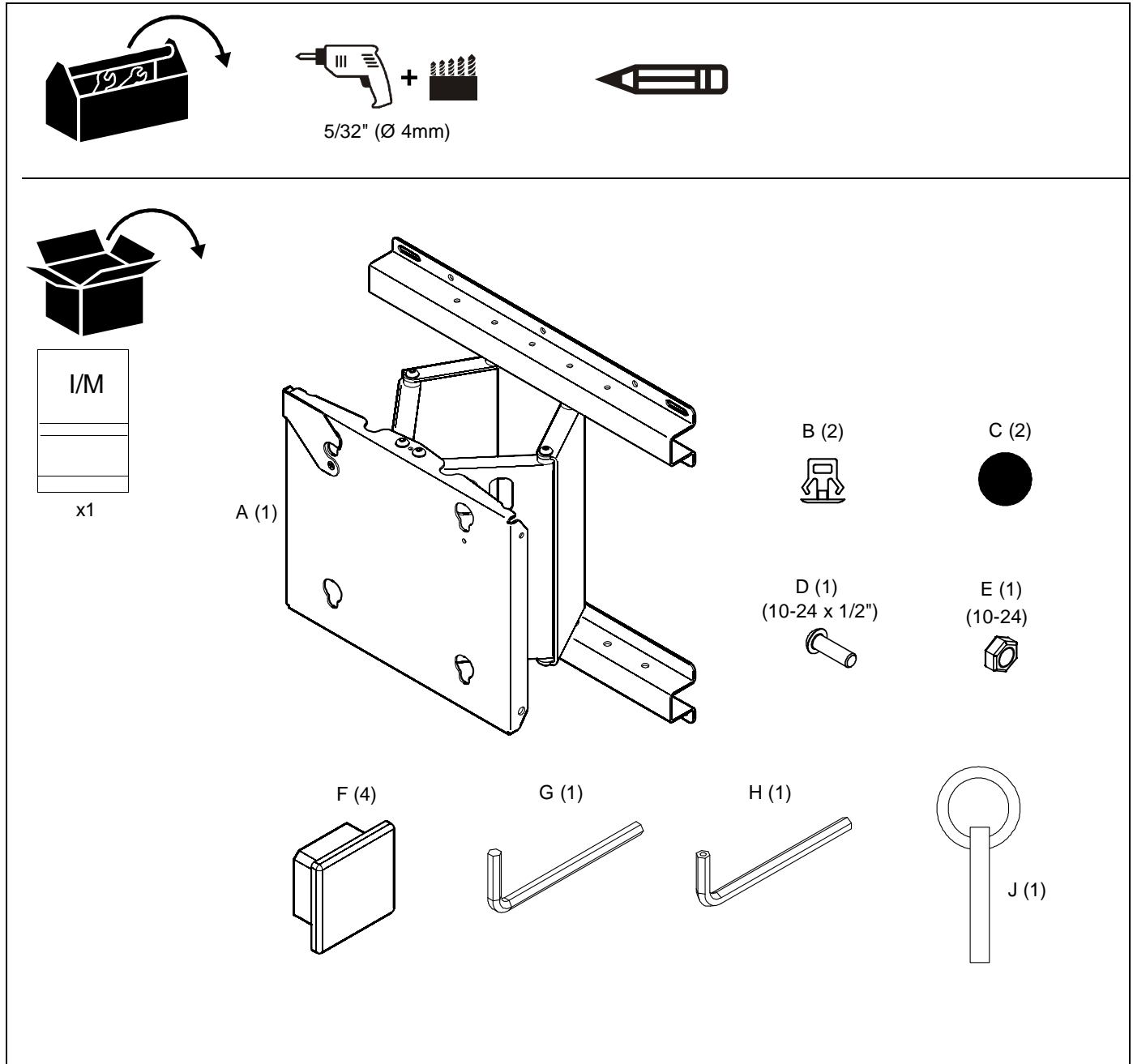
	<b>Tighten Fastener</b>
	Apretar elemento de fijación
	Befestigungsteil festziehen
	Apertar fixador
	Serrare il fissaggio
	Bevestiging vastdraaien
	Serrez les fixations
	Сожмите Застежку

	<b>Loosen Fastener</b>
	Aflojar elemento de fijación
	Befestigungsteil lösen
	Desapertar fixador
	Allentare il fissaggio
	Bevestiging losdraaien
	Desserrez les fixations
	Ослабьте Застежку

	<b>Adjust</b>
	Ajustar
	Einstellen
	Ajustar
	Regolare
	Afstellen
	Ajuster
	Приспособьтесь

	<b>Hex-Head Wrench</b>
	Llave de cabeza hexagonal
	Sechskantschlüssel
	Chave de cabeça sextavada
	Chiave esagonale
	Zeskantsleutel
	Clé à tête hexagonale
	Главный ведемой Рывок

### TOOLS REQUIRED FOR INSTALLATION AND PARTS



The diagram illustrates the tools and parts required for installation. At the top, it shows a box with a curved arrow, a power drill with a bit, a pencil, and a label "5/32" (Ø 4mm)". Below this, an open box labeled "I/M" with "x1" underneath is shown. The main assembly is a large metal bracket labeled "A (1)". To its right are two small brackets labeled "B (2)", a black circle labeled "C (2)", a bolt labeled "D (1) (10-24 x 1/2")", and a nut labeled "E (1) (10-24)". At the bottom, there are four small rectangular pieces labeled "F (4)", two L-shaped brackets labeled "G (1)" and "H (1)", and a key labeled "J (1)".

**DIMENSIONS**

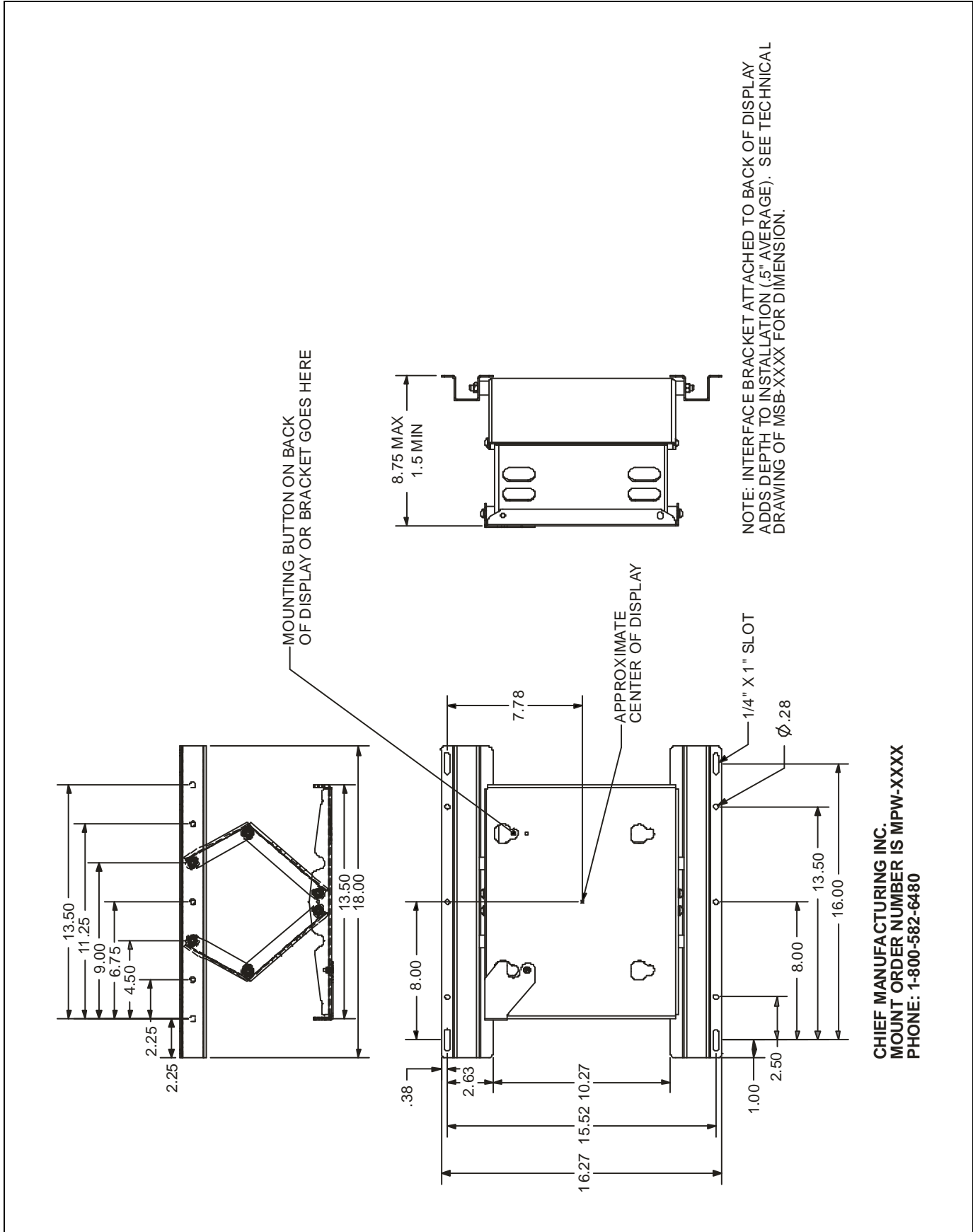


Figure 1

CHIEF MANUFACTURING INC.  
 MOUNT ORDER NUMBER IS MPW-XXXX  
 PHONE: 1-800-582-6480

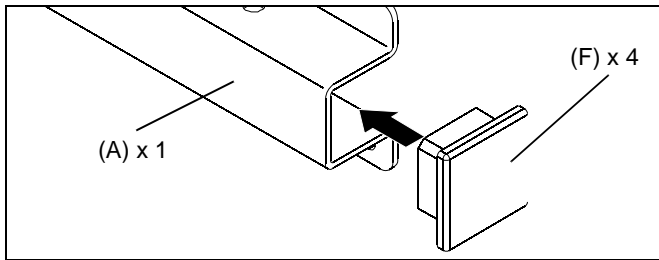


**WARNING:** IMPROPER INSTALLATION CAN LEAD TO MOUNT FALLING CAUSING SERIOUS PERSONAL INJURY OR DAMAGE TO EQUIPMENT! It is the installer's responsibility to make sure the structure to which the mount is being installed is capable of supporting five times the combined weight of the mount and all attachments.

**MOUNT ASSEMBLY**

To attach the wall plate end caps:

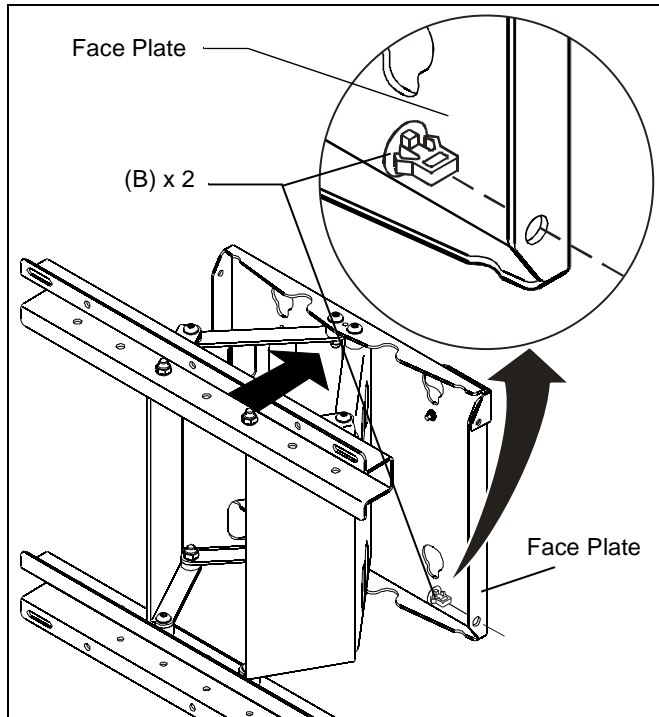
1. Slide one end cap (F) into each end of upper and lower wall plates ON MOUNT (A). (See Figure 2)



**Figure 2**

To attach the cable management clips:

1. Pull mount face plate outward until access to rear of face plate can be achieved.
2. Install two cable management clips (B) into each side of mount faceplate. (See Figure 3)



**Figure 3**

**MOUNT INSTALLATION**



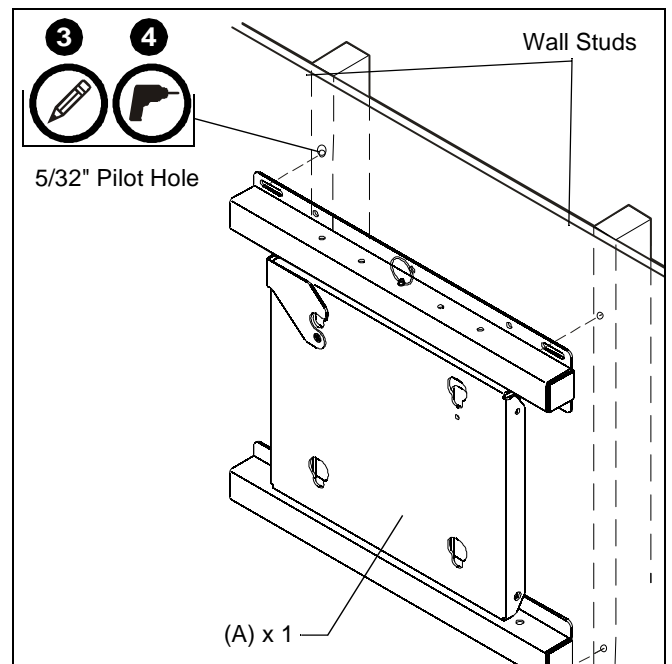
**WARNING:** The installer is responsible for verifying that the structure to which the mount is anchored will safely support five times the combined load of the mount and all attached components.

To install mount:

1. Identify appropriate mounting location.
2. Locate studs.

**NOTE:** The MPW is designed to be mounted on 16" on center wood studs.

3. Place mount assembly (A) against wall, level mount, and mark four pilot hole locations (See Figure 4).
4. Drill four 5/32" pilot holes at marked locations. (See Figure 4).



**Figure 4**

5. Place mount assembly (A) against wall and align mounting holes in mount assembly with pilot holes (See Figure 5).
6. Secure mount (A) to wall studs using four 1/4" x 2" lag screws, and four flat washers.

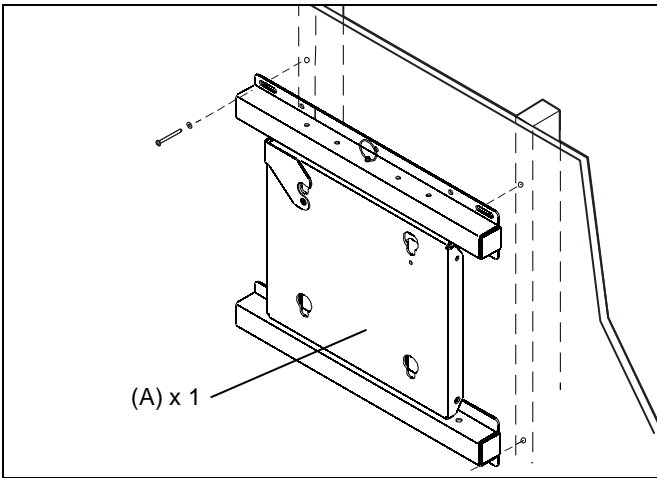


Figure 5

**INSTALL DISPLAY**

1. Install interface bracket following the installation instructions included with the bracket.

**WARNING:** IMPROPER INSTALLATION CAN LEAD TO MOUNT FALLING CAUSING SEVERE PERSONAL INJURY OR DAMAGE TO EQUIPMENT. Displays can weigh in excess of 40 lbs (18.1kg). ALWAYS use two people and proper lifting techniques when installing display.

2. Lower latching flag. (See Figure 7)
3. Move mount faceplate to extended position by grasping faceplate and pulling outward away from wall. (See Figure 6)

**CAUTION:** Keep hands and fingers away from all pinch points when moving the mount from retracted to extended position.

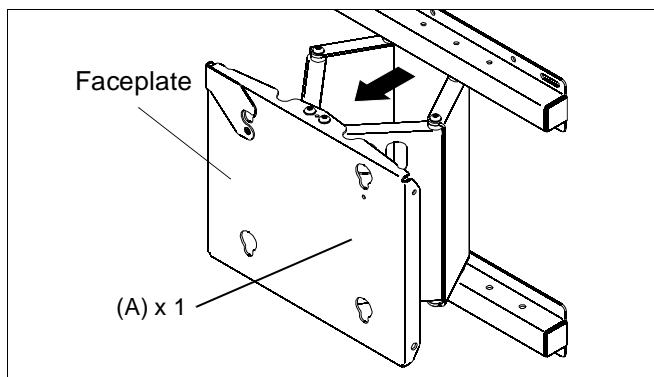


Figure 6

4. Align mounting buttons on display with teardrop mounting holes in mount faceplate (See Figure 7).
5. Move display forward until all four mounting buttons are through teardrop mounting holes in faceplate, and recessed area of mounting buttons is aligned with the lower area of teardrop mounting holes in faceplate.
6. Lower display until the recessed area of all four mounting buttons is seated in the lower area of teardrop mounting holes in faceplate. (See Figure 7)
7. Move latching flag to the UP position to secure display to

mount assembly.

**NOTE:** If desired, install optional security screw and locknut provided. The display can also be locked in the retracted position by installing the optional locking pin provided. (See Figure 8)

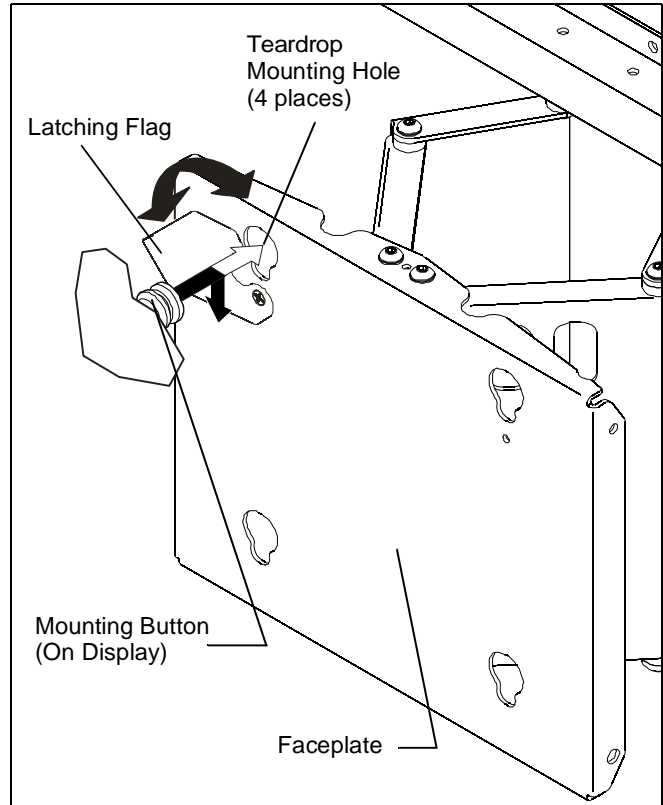


Figure 7

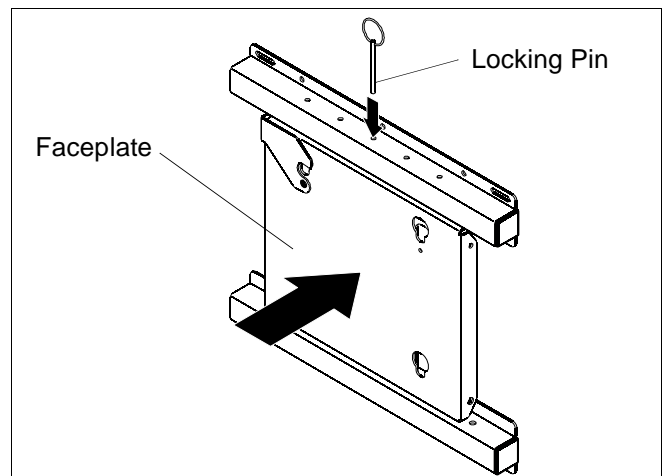


Figure 8

**FELT PAD INSTALLATION**

Felt pads (C) are provided to protect the display from contact with the mount.

To install protective felt pads:

1. Move display to fully extended position.



**WARNING:** Keep hands and fingers away from all pinch points when moving the mounted display from the retracted to the extended position.

2. Slowly rotate display to "fully right" position and identify the area of contact between the display and cabinet.
3. Remove adhesive back from felt pad (C) and place pad onto display at identified point of contact.
4. Slowly rotate display to "fully left" position and identify the area of contact between the display and cabinet.
5. Remove adhesive back from felt pad (C) and place pad onto display at identified point of contact.

**ADJUSTMENTS**

The mount is shipped with pre-set tension for swing arm movement. After extended use mount tension may need to be adjusted.

There are a total of 12 tension adjustment points on the mount (See Figure 9). Six on mount top, and six on mount bottom. Points 1 through 6 control mount extension and retraction tension. Points 1 and 6 control mount right left swing tension, and points 3 and 4 control display left right rotation tension.

**NOTE:** It is important that corresponding points are adjusted equally. **Example:** 1 and 6, 2 and 5, 3 and 4, and their corresponding adjustment points on mount bottom (See Figure 9).

To adjust mount tension:

1. Determine which aspect of mount movement needs to be adjusted and locate appropriate adjustment screws.
2. Using the hex wrench provided, tighten or loosen adjustment screws until desired tension is achieved (See Figure 9).

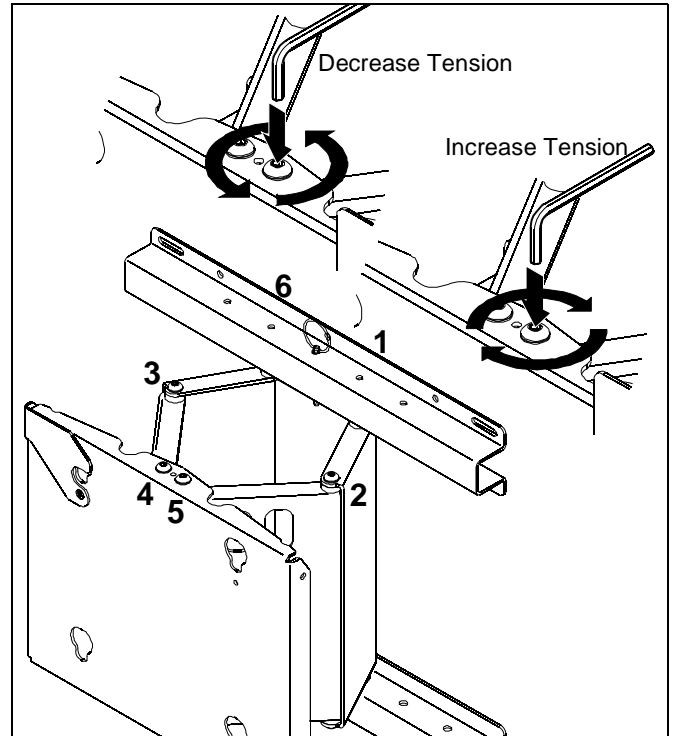


Figure 9

**CABLE MANAGEMENT**

Cable management clips, for use with "zip-ties" or similar devices, are provided for cable routing.

To use cable management clips:

1. Zip tie cable to cable clip (B). (See Figure 10)
2. Route cables down and under mount to display.

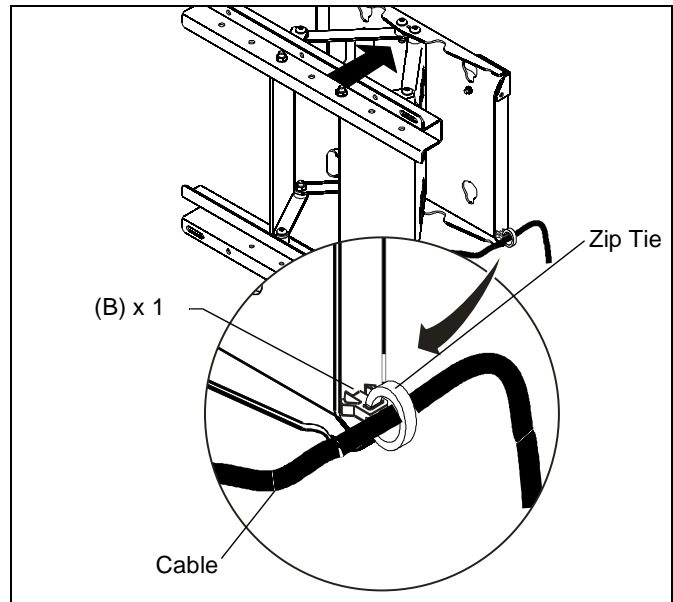


Figure 10



Our Mounts. **Your Vision.**

Chief Manufacturing, a division of  
Milestone AV Technologies

8832-000214 RevB

©2008 Milestone AV Technologies

[www.chiefmfg.com](http://www.chiefmfg.com)

10/08

**USA/International** A 8401 Eagle Creek Parkway, Savage, MN 55378  
P 800.582.6480 / 952.894.6280  
F 877.894.6918 / 952.894.6918

**Europe** A Fellenoord 130 5611 ZB EINDHOVEN, The Netherlands  
P +31 (0)40 2668620  
F +31 (0)40 2668615

**Asia Pacific** A Room 24F, Block D, Lily YinDu International Building  
LuoGang, BuJi Town, Shenzhen, CHINA.  
深圳市布吉罗岗村百合银都国际大厦D栋24F  
P +86-755-8996 9226  
F +86-755-8996 9217

