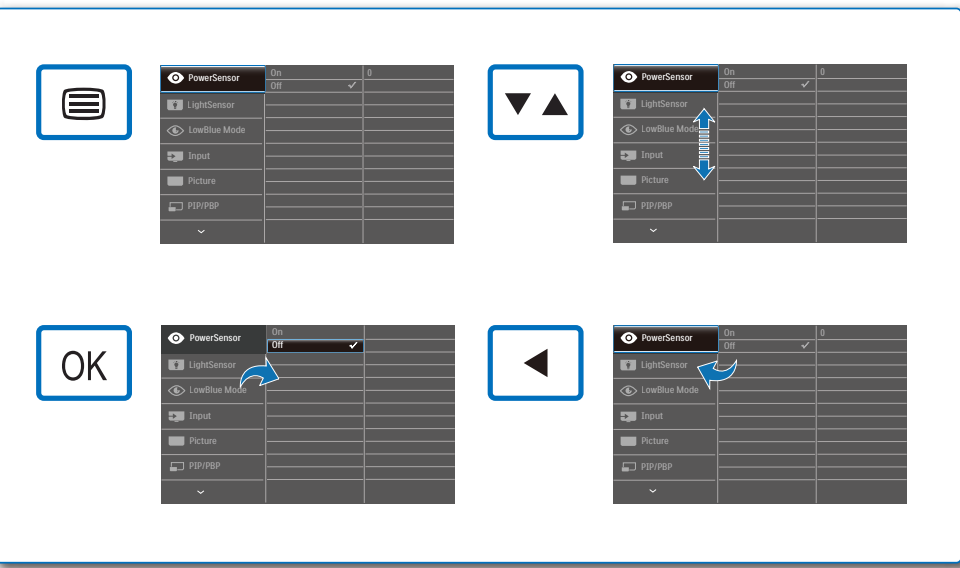
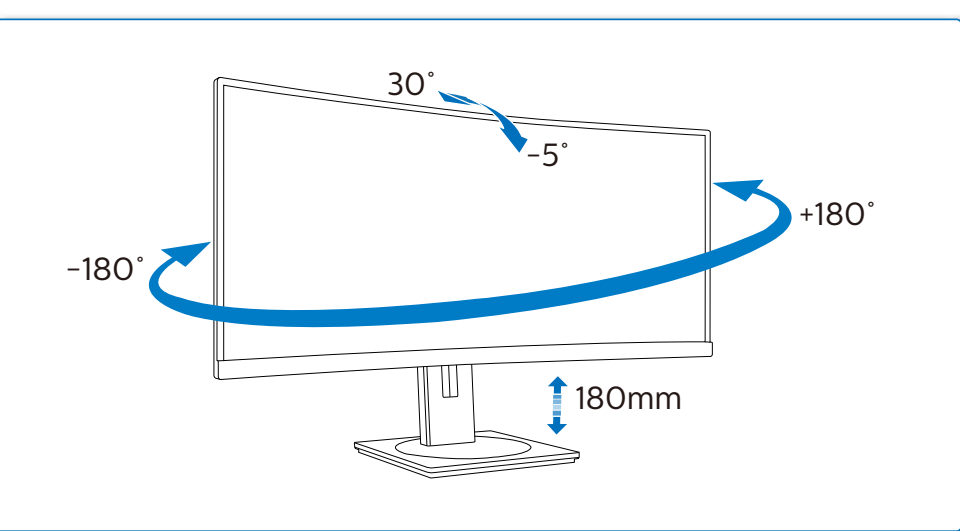


4



5



PHILIPS
B Line
345B1

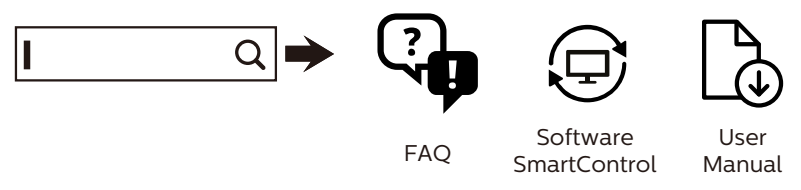


Quick Start

Register your product and get support at www.philips.com/welcome



Register your product and get support at www.philips.com/support



Version: M10345B1Q1T
2019 © TOP Victory Investments Ltd. All rights reserved.
This product has been manufactured by and is sold under the responsibility of Top Victory Investments Ltd., and Top Victory Investments Ltd. is the warrantor in relation to this product. Philips and the Philips Shield Emblem are registered trademarks of Koninklijke Philips N.V. and are used under license.

Specifications are subject to change without notice.

HDMI
The terms HDMI, HDMI High-Definition Multimedia Interface, and the HDMI Logo are trademarks or registered trademarks of HDMI Licensing Administrator, Inc.

www.philips.com

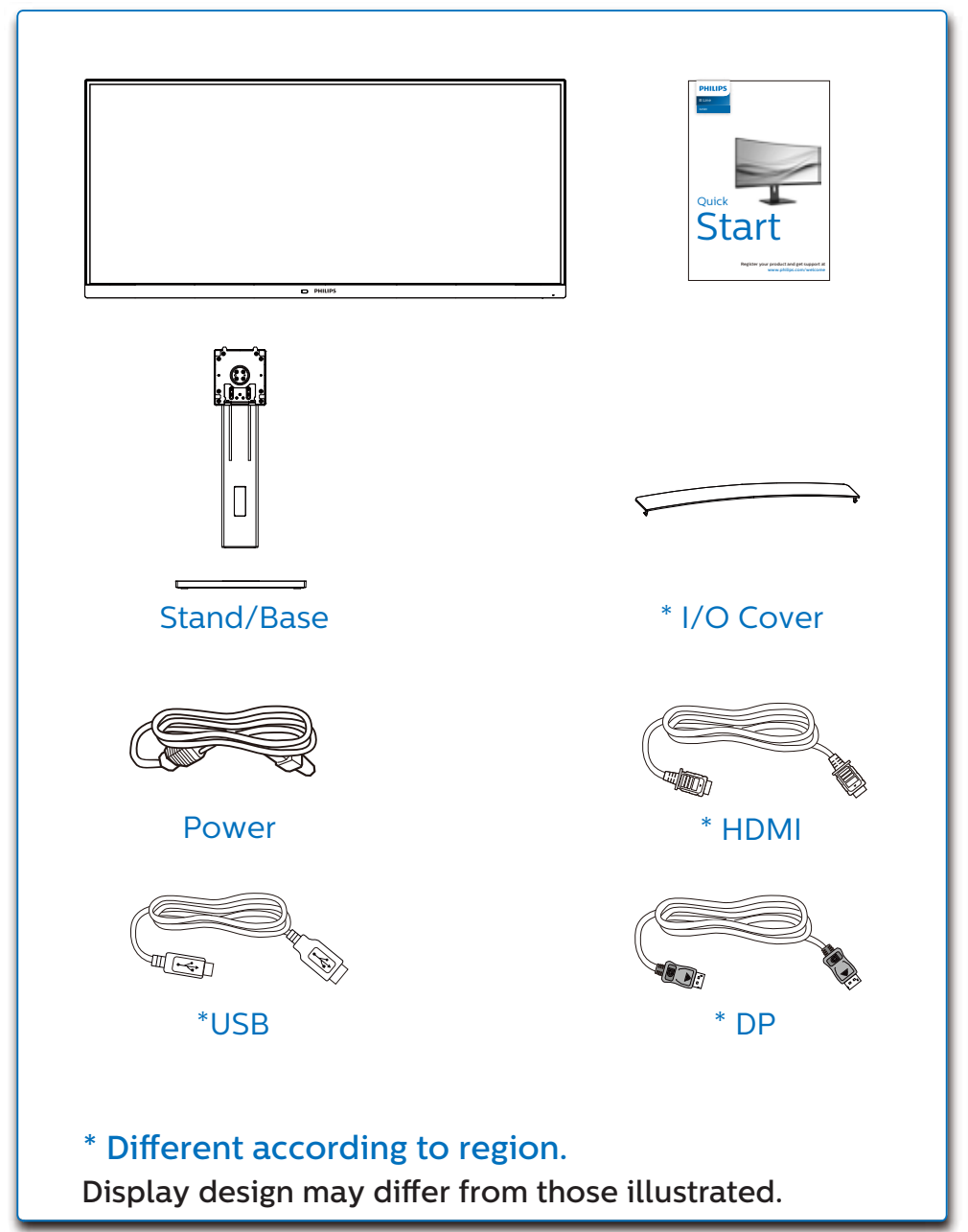
Energy Labelling
345B1C



Printed in China

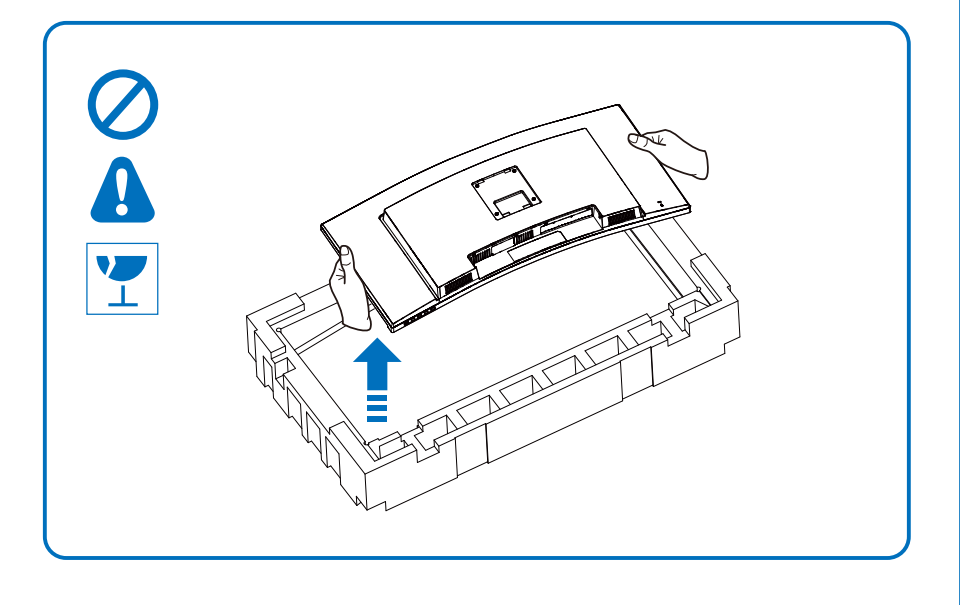
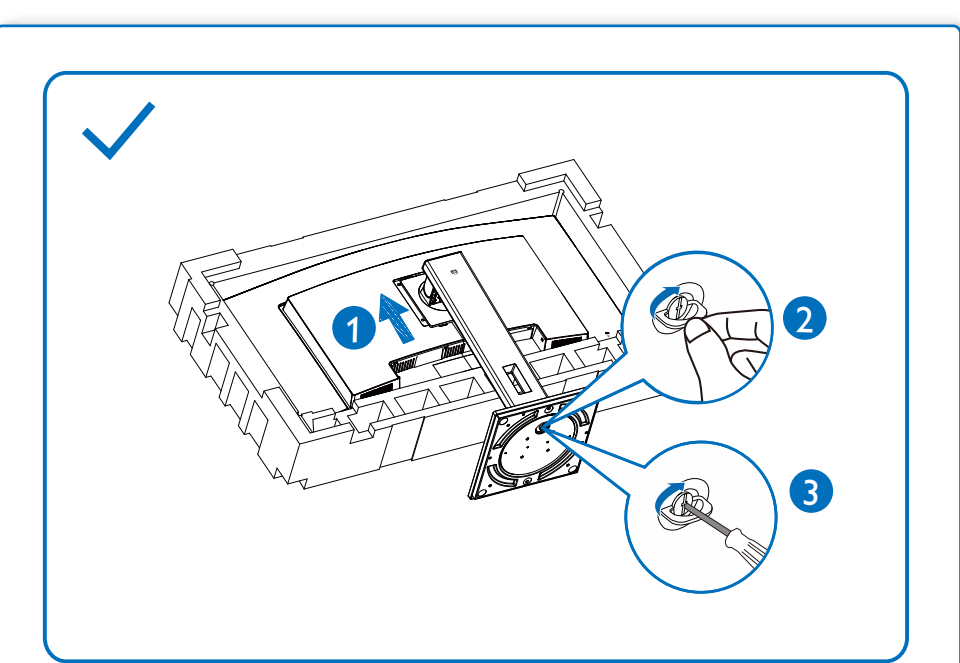


H41G785381342A

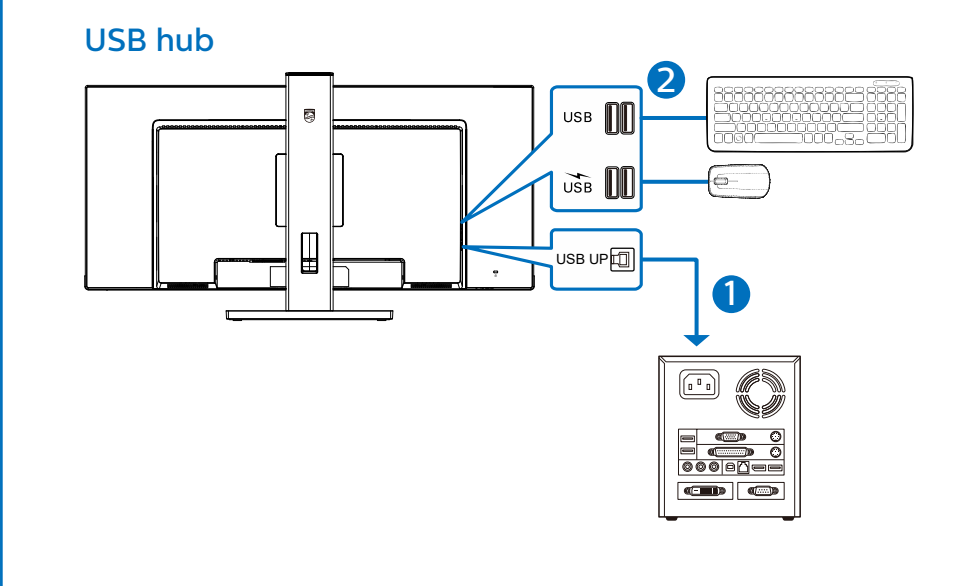
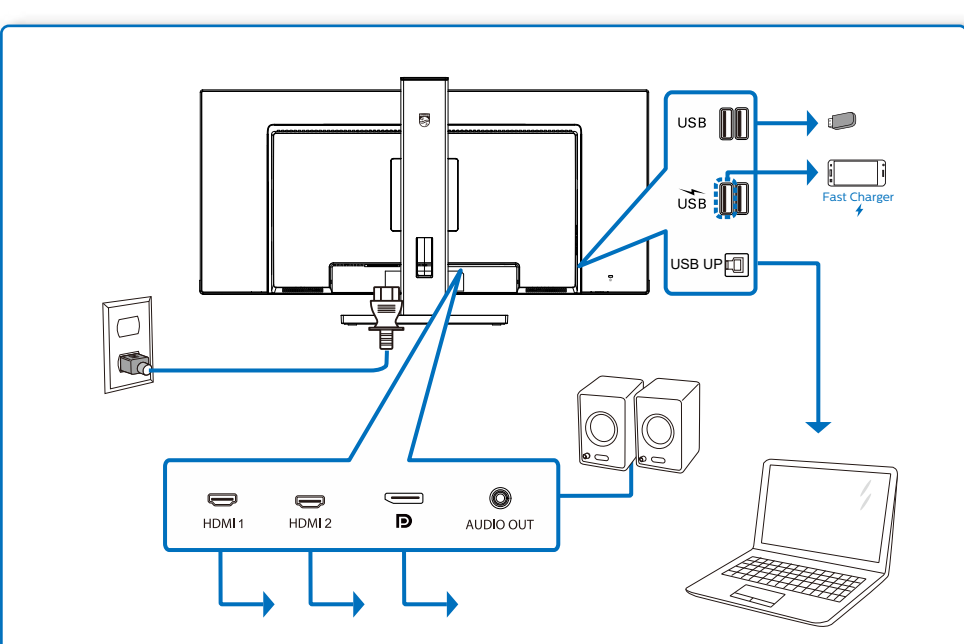


* Different according to region.
Display design may differ from those illustrated.

1



2

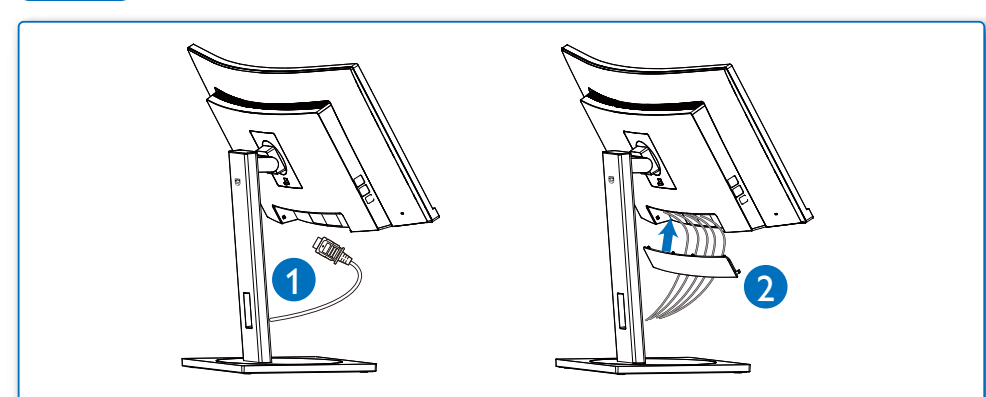


PIP: A (main) B (sub) | B (main) A (sub) | SWAP

PBP: A (main) B (sub) | B (main) A (sub) | SWAP

| | | SUB SOURCE POSSIBILITY (x1) | | |
|------------------|-------------|-----------------------------|--------|-------------|
| MultiView | Inputs | HDMI 1 | HDMI 2 | DisplayPort |
| MAIN SOURCE (x1) | HDMI 1 | ● | ● | ● |
| | HDMI 2 | ● | ● | ● |
| | DisplayPort | ● | ● | ● |

3



4

